

# Oliveri

VITREOUS CHINA

Counter top Basin

Installation instructions for Counter top basin

THIS BASIN MUST BE INSTALLED BY A LICENSED PLUMBER IN ACCORDANCE WITH LOCAL REGULATIONS

Remove all products from packaging:

Check the product for damage, if the product is damaged return to store of purchase.

Check the product is complete with all components required to install.

This product is to only be installed by a licensed plumber, failing to do so will void warranty.

This product is to be installed as per Australian Standard and local authority requirements.

## Basin Installation:

1. Determine where on the bench top the basin is to be installed.
2. Place the basin in position and check to ensure the basin waste outlet position does not interfere with draws, internal walls or waste connection pipe work.
3. Mark the waste hole position on the bench top, using a suitable cutting devise based on bench top material cut a hole in the bench top large enough to accommodate the waste being used.
4. Fit waste to basin as per waste installation instruction document.
5. Run a bead of plumbers grade silicone around the underside edge of the basin.
6. Fit basin to bench top, allow silicone to set before proceeding with waste pipe installation.

# Oliveri

## Naples



Product code:NA3721

## CARE & MAINTENANCE

Avoid using abrasive or acid based cleaning products.

## WARRANTY:

This basin is warranted to be free from manufacturing defects for a period of:

10 Years vitreous china

1 Year, parts and labour.

This warranty does not cover against normal wear and will be voided if the product is misused or not installed in accordance with these instructions.

In the event this product is rendered obsolete and a replacement product is required. Oliveri Solutions Pty Ltd reserves the right to supply a product of equal substitution at their discretion.

Our goods come with guarantees that cannot be excluded under the Australian Consumer Law.

You are entitled to a replacement or refund for a major failure and for compensation for any other reasonably foreseeable loss or damage. You are also entitled to have the goods repaired or replaced if the goods fail to be acceptable quality and the failure does not amount to a major failure.

## SERVICE

If the basin requires servicing, please contact your installer (preferably the one who installed it). If the installer is satisfied that the problem is not due to poor installation, contact T2 Services Pty Ltd for assistances on:

**Ph : ( 07) 55960738**

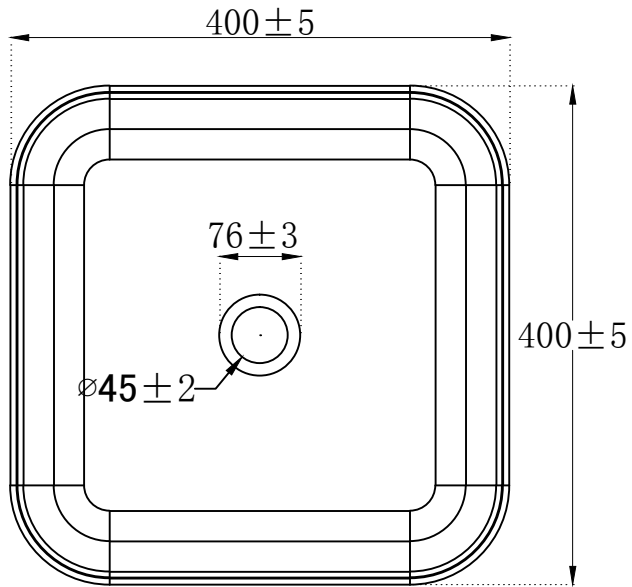
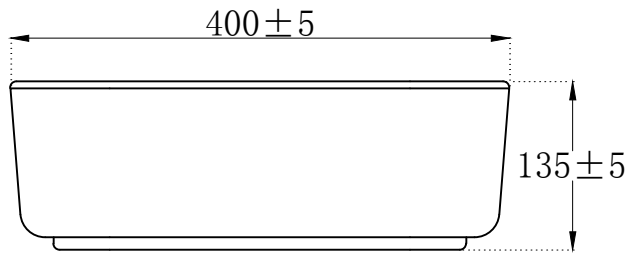
**Fax : ( 07) 55273353**

**Email:oliveri@t2services.com.au**

**<https://oliveri.com.au/service-and-warranty>**

If the warranty service agent finds that the basin is not faulty, T2 Services Pty Ltd reserves right to pass on any callout fee to the householder.

Oliveri



UNIT:MM