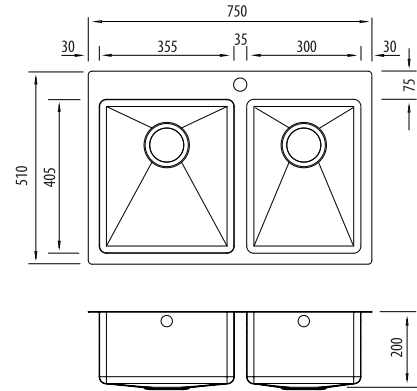


Apollo

AP1425

1 & 3/4 Bowl Sink

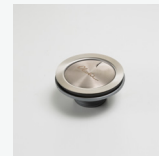


All dimensions in mm

Specifications /

Sink size	750W x 510H mm
Bowl size	Main Bowl 355W x 405H x 200D / 29L
	Standard Bowl 300W x 405H x 200D / 24L
Construction	Fabricated with 18 mm radius corners, Softtone® and soundproofing.
Material	304 grade, 18/10 brushed stainless steel (1.2 mm thick)
Installation	Topmount, undermount or flushmount
Fixings	Topmount clips supplied
Min cabinet size	800 mm
Tap holes	1 tap hole only (suitable for additional tap holes)
Waste fittings	2 x 90 mm basket wastes included
Overflow	Not available
Carton size	810 x 575 x 270 mm
Weight	14 kg
Warranty	Lifetime manufacturer's warranty (refer to oliveri.com.au)
Maintenance and care instructions	All surfaces should be cleaned with mild liquid detergent or soap and water. To maintain the shine on your Oliveri stainless steel sink, we recommended the use of any of the easy to obtain, non-abrasive stainless steel cleaners or metal polishes.

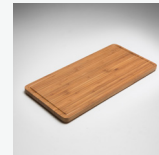
Included accessories /



AC28
Basket Waste



AC28
Basket Waste



ACP124
Bamboo Board



ACP134
Colander