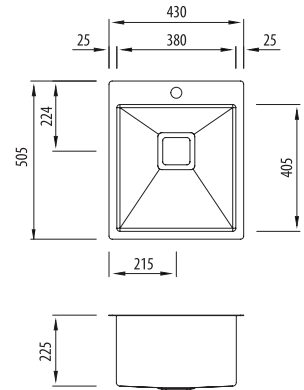


# Professional Series

## PR1131

### 3/4 Bowl Topmount Sink



#### Specifications /

<b>Sink size</b>	430W x 505H mm
<b>Bowl size</b>	3/4 Bowl 380W x 405H x 225D / 35L
<b>Construction</b>	Fabricated with 10 mm radius corners, Softtone® and soundproofing.
<b>Material</b>	304 grade, 18/10 brushed stainless steel (1.5 mm thick)
<b>Installation</b>	Topmount
<b>Fixings</b>	Topmount clips supplied
<b>Min cabinet size</b>	500 mm
<b>Tap holes</b>	1 tap hole only
<b>Waste fittings</b>	1 x 90 mm basket waste included
<b>Overflow</b>	Not available
<b>Carton size</b>	520 x 595 x 290 mm
<b>Weight</b>	9.5 kg
<b>Warranty</b>	Lifetime manufacturer's warranty (refer to oliveri.com.au)
<b>Maintenance and care instructions</b>	All surfaces should be cleaned with mild liquid detergent or soap and water. To maintain the shine on your Oliveri stainless steel sink, we recommended the use of any of the easy to obtain, non-abrasive stainless steel cleaners or metal polishes.

#### Included accessories /



**AC175Q**  
Basket Waste



**ACPSQ3**  
Bowl Protector



**ACP141**  
Multi Use  
Preparation Kit