

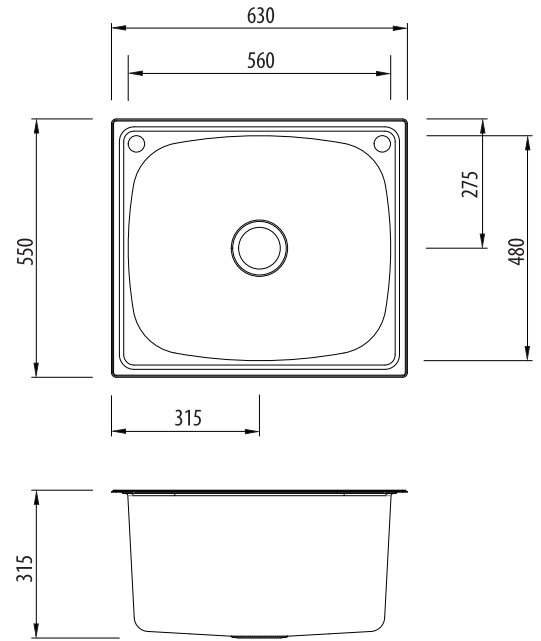
# Laundry

## TI70S

70L Laundry Tub With Rinse Bypass Kit



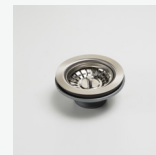
All dimensions in mm



### Specifications /

|  |  |
|--|--|
| <b>Sink size</b>                         | 630W x 550H mm   |
| <b>Bowl size</b>                         | 70L Tub Bowl<br>560W x 480H x 305D / 70L   |
| <b>Construction</b>                      | Single piece with soundproofing  |
| <b>Material</b>                          | 304 grade, 18/10 polished stainless steel (0.8 mm thick)   |
| <b>Installation</b>                      | Inset recommended  |
| <b>Fixings</b>                           | Adjustable clips and sealing foam supplied   |
| <b>Min cabinet size</b>                  | 700 mm   |
| <b>Tap holes</b>                         | 2 x 41 mm bypass holes   |
| <b>Waste fittings</b>                    | 1 x 90 mm basket waste included  |
| <b>Overflow</b>                          | Available  |
| <b>Carton size</b>                       | 640 x 560 x 340 mm   |
| <b>Weight</b>                            | 8.0 kg   |
| <b>Warranty</b>                          | Lifetime manufacturer's warranty (refer to <a href="http://oliveri.com.au">oliveri.com.au</a> )  |
| <b>Maintenance and care instructions</b> | All surfaces should be cleaned with mild liquid detergent or soap and water. To maintain the shine on your Oliveri stainless steel sink, we recommended the use of any of the easy to obtain, non-abrasive stainless steel cleaners or metal polishes. |

### Included accessories /



**AC14**  
Basket Waste