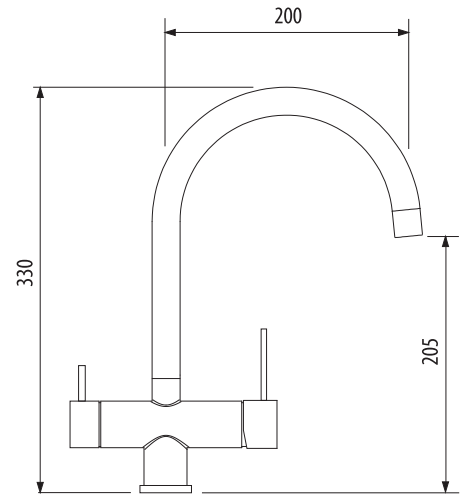


Essentials

FT3EGN

Round Goose Neck 3 Way Filter Tap

All dimensions in mm



Specifications /

WELs rating	4 Stars, 7.5L per minute
Temperature rating (min / max)	1°C - 80°C
Pressure rating (min / max)	150 kPa - 600 kPa
Finish	Polished chrome
Other available finishes	Not available
Materials	Brass body (DR)
Cartridge type	Ceramic disc cartridge
Carton size	555 x 270 x 65 mm
Product weight	2.5 kg
Mixer height	330 mm
Water supply	Mains
Warranty	10 year warranty* (refer to oliveri.com.au for details)
Maintenance and care instructions	All surfaces should be cleaned with mild liquid detergent or soap and water. Do not use cream cleaners or citrus based cleaning products, as they are abrasive. Use of unsuitable cleaning agents may damage the surface. Any damage caused in this way will not be covered by warranty.

Matching accessories /



FS7005
Satellite or 3 way
filtration system



FR7905
Replacement
Cartridge for
FS7005