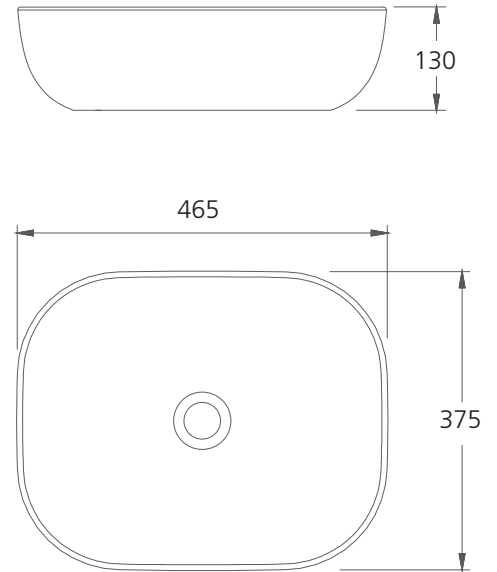


# Naples

**NA7115B**

Black Line Counter Top Basin

All dimensions in mm



## Specifications /

<b>Tap holes</b>	Not available
<b>Waste outlet</b>	Pop up waste sold separately (chrome, matte black or brushed nickel)
<b>Overflow</b>	Not available
<b>Colour</b>	White
<b>Basin/bowl size</b>	465W x 375H x 130D mm
<b>Bowl capacity</b>	10.5 L
<b>Material</b>	Vitreous china
<b>Installation</b>	Counter top
<b>Weight</b>	8.5kg
<b>Warranty</b>	10 years replacement products, 1 year parts and labour (refer to <a href="http://oliveri.com.au">oliveri.com.au</a> )
<b>Maintenance and care instructions</b>	All surfaces should be cleaned with mild liquid detergent or soap and water. Do not use cream cleaners or citrus based cleaning products, as they are abrasive. Use of unsuitable cleaning agents may damage the surface. Any damage caused in this way will not be covered by warranty.

