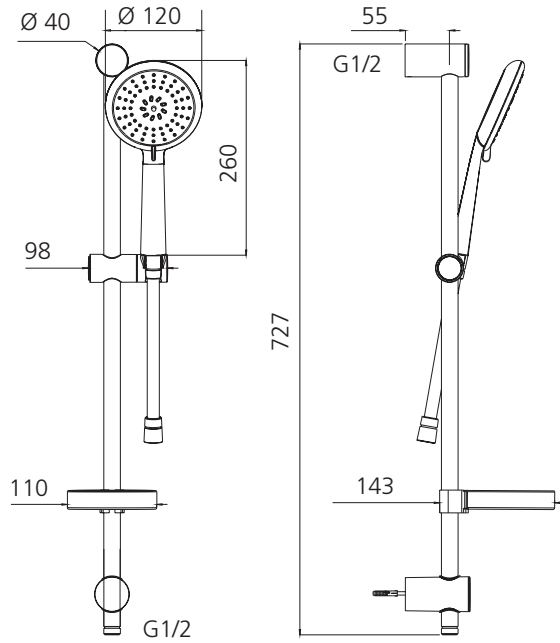


# Copenhagen

CO51580CR

Chrome Hand Shower With Rail

All dimensions in mm



## Specifications /

<b>WELs rating</b>	3 Stars, 9L per minute
<b>Temperature rating (min / max)</b>	1°C - 65°C
<b>Pressure rating (min / max)</b>	150 kPa - 500 kPa
<b>Finish</b>	Chrome (electroplating)
<b>Shower head functions</b>	Three spray functions
<b>Materials</b>	Brass / ABS Plastic
<b>Water supply</b>	Mains
<b>Connections</b>	G1/2 Female
<b>Mounting methods</b>	Wall mounted
<b>Product weight</b>	1.54kg
<b>Parts List</b>	Hand shower x 1, hose x 1, slider rail x 1, soap dish x 1, wall bracket x 2
<b>Warranty</b>	15 years main body; 2 years shower head, shower arm, plastic hand piece, hose, seals, o'rings; 1 year finish and labour (refer to <a href="http://oliveri.com.au">oliveri.com.au</a> )
<b>Maintenance and care instructions</b>	All surfaces should be cleaned with mild liquid detergent or soap and water. Do not use cream cleaners or citrus based cleaning products, as they are abrasive. Use of unsuitable cleaning agents may damage the surface. Any damage caused in this way will not be covered by warranty.