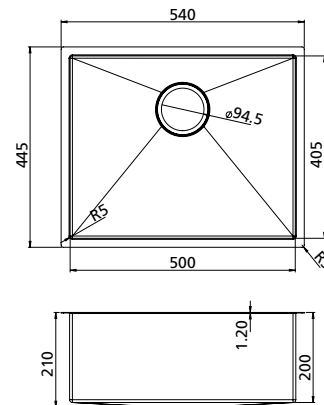


# Oliveri®

## Model: SB50CU



### FEATURES

#### Bowl protectors

The matching colour bowl protector creates a barrier to protect the unique bowl finish.

#### Coloured steel

An environmentally friendly process creates the coloured coating on 1.2mm stainless steel.

#### Rear waste outlets

The matching colour outlets allow maximum space in the cupboards below.

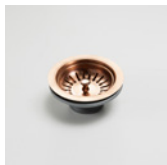
#### Softtone® and soundproofing

Ensures improved heat retention and a sound deadening finish.

#### Easy clean corners

Softly squared 5mm radius corners are hygienic and easy to clean.

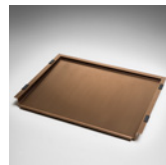
### INCLUDED ACCESSORIES



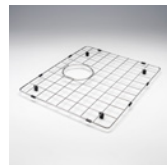
**ACBWCU** Copper  
Basket waste



**ACP104F**  
Bamboo board



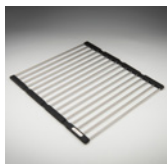
**ACP109CU** Copper  
Bench top drainer tray



**ACBPCU-1** Copper  
Bowl protector

### RECOMMENDED TAPWARE

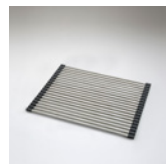
### MATCHING ACCESSORIES



**ACP105**  
Foldamate



**ACP136**  
Colander



**ACP106**  
Kitchenmate



**ACP31**  
Drainer basket



### SPECIFICATIONS

#### Description

Single bowl copper sink

#### Sink Size

540W x 445H

#### Large Bowl

500W x 405H x 200D / 40L

#### Construction

Fabricated with 5mm radius corners, Softtone® and soundproofing

#### Material

304 grade, 18/10 coloured stainless steel (1.2mm thick)

#### Installation

Topmount, undermount or flushmount

#### EAN

9324974012083

#### Fixings

Topmount clips supplied only

#### Cut out template

oliveri.com.au

#### Min cabinet size

600mm

#### Tap holes

N/A

#### Waste fittings

1 x 90mm coloured basket waste included

#### Overflow

Not available

#### Carton size

640 x 540 x 330 mm

#### Weight

15.0 kg

#### Warranty

Lifetime manufacturer's warranty (refer to oliveri.com.au)



For more information call **1300 137 465** or visit **oliveri.com.au**