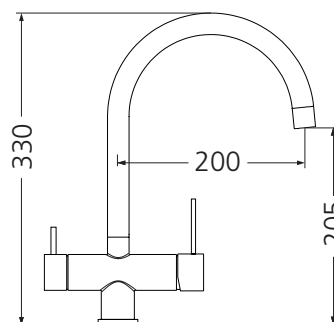


Oliveri®

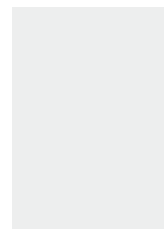
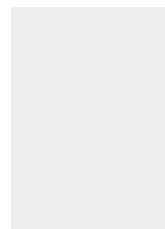
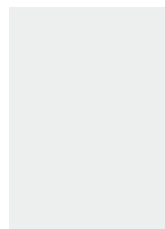
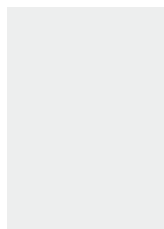
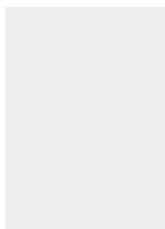
Model: FT3EGN



FEATURES AND BENEFITS

- Clutter free**
 Separate line provides clean finely filtered water through your main kitchen mixer tap.
- 10 year warranty**
 5 year warranty parts and labour, plus an additional 5 year parts only.
- Easy use handles**
 With separate lever handles for hot / cold water and filtered water.
- Filtered water**
 Enjoy filtered water from this tap by connecting to an optional Oliveri filtration system.

OTHER PRODUCTS YOU MAY LIKE



MATCHING ACCESSORIES



SPECIFICATIONS

Description

Goose neck 3 way filter tap

Mixer Height

330mm

WELS Rating

4 star water efficiency

7.5 L per minute

Finish	Chrome
Cartridge Type	Ceramic disc
EAN	9324974011680
Spout height	205mm
Max. operating pressure	600kpa
Tap hole size	32mm recommended
Origin	Made in PRC
Carton Size	555 x 270 x 65 mm
Weight	2.5 kg
Warranty	10 year warranty (5 year parts & labour, plus 5 years parts only) Refer to oliveri.com.au for full warranty details



For more information call **1300 137 465** or visit **oliveri.com.au**