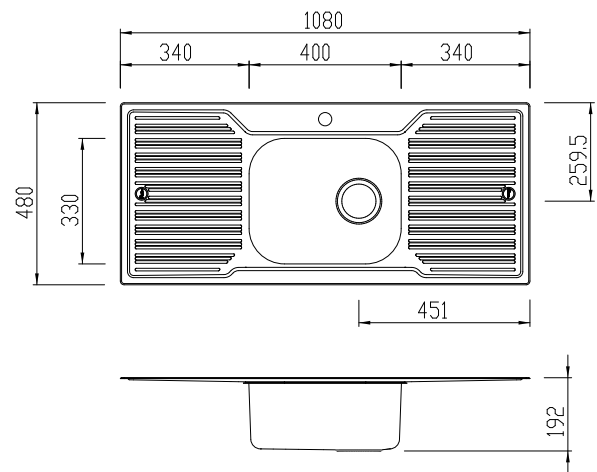


# DZ133

## Diaz

Oliveri®



### INCLUDED ACCESSORIES



### RECOMMENDED TAPWARE



### OPTIONAL ACCESSORIES



### SPECIFICATIONS

#### Description

Single bowl inset sink with double drainer

#### Sink Size

1080W x 480H

#### Main Bowl

330W x 400H x 180D / 21L

#### Construction

2 piece, bowls & drainer seam welded

#### Material

304 grade, 18/10 polished stainless steel (0.8mm thick)

#### Installation

Inset recommended.

#### Fixings

Adjustable clips and sealing foam supplied

#### Cut Out Template

1060 x 460 x 15mm radius

#### Min Cabinet Size

500mm

#### Tap holes

Available 0 to 3 tap hole (specify when ordering)

#### Waste fittings

1 x 90mm basket waste included

#### Overflow

Not available

#### Carton Size

1090 x 490 x 200mm

#### Weight

8.0kg

#### Warranty

Lifetime manufacturer's warranty (refer to oliverisinks.com)

For more information call **1300 13 7465** or visit **www.oliverisinks.com**

