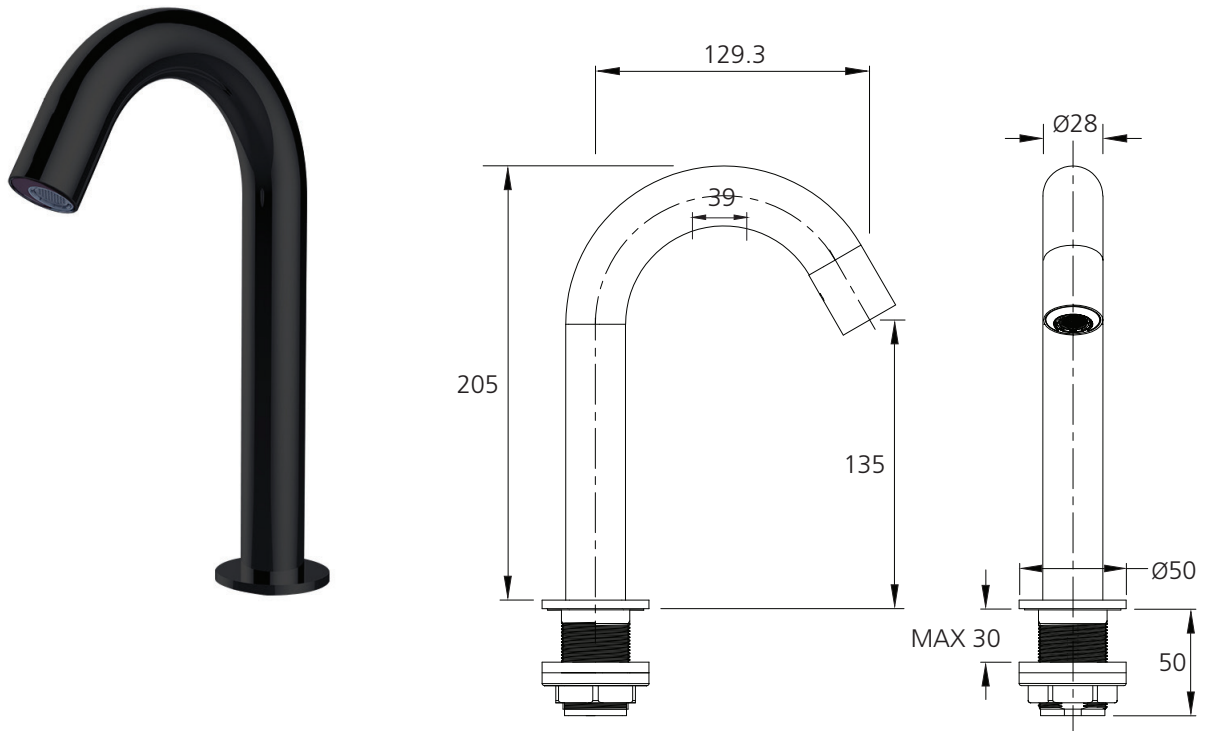


# Venice

## VE402MB

Matte Black Basin Mounted Sensor Tap



### Specifications /

|  |  |
|--|--|
| <b>WELs rating</b>                       | 6 Star, 6 L per minute   |
| <b>Water supply</b>                      | Mains. Suitable for cold water or warm water (using a thermostatic mixing valve)   |
| <b>Temperature rating (min / max)</b>    | 1°C - 55°C Operating temperature   |
| <b>Pressure rating (min / max)</b>       | 100 kPa - 500 kPa  |
| <b>Power supply</b>                      | DC 6V - Battery box or AC adapter (240V mains supply)  |
| <b>Operation</b>                         | Motion sensor switch for water ON and OFF with automatic timer OFF after 70 seconds.   |
| <b>Sensing distance</b>                  | 100 mm - 300 mm  |
| <b>Finish</b>                            | Matte Black (electroplated)  |
| <b>Connections</b>                       | 1/2" BSP Female (single inlet connection only)   |
| <b>Materials</b>                         | Brass body   |
| <b>Cartridge type</b>                    | Solenoid valve   |
| <b>Product weight</b>                    | 2.23 kg  |
| <b>Warranty</b>                          | 5 Years (see Oliveri website for full details)   |
| <b>Maintenance and care instructions</b> | All surfaces should be cleaned with mild liquid detergent or soap and water. Do not use cream cleaners or citrus based cleaning products, as they are abrasive. Use of unsuitable cleaning agents may damage the surface. Any damage caused in this way will not be covered by warranty. |