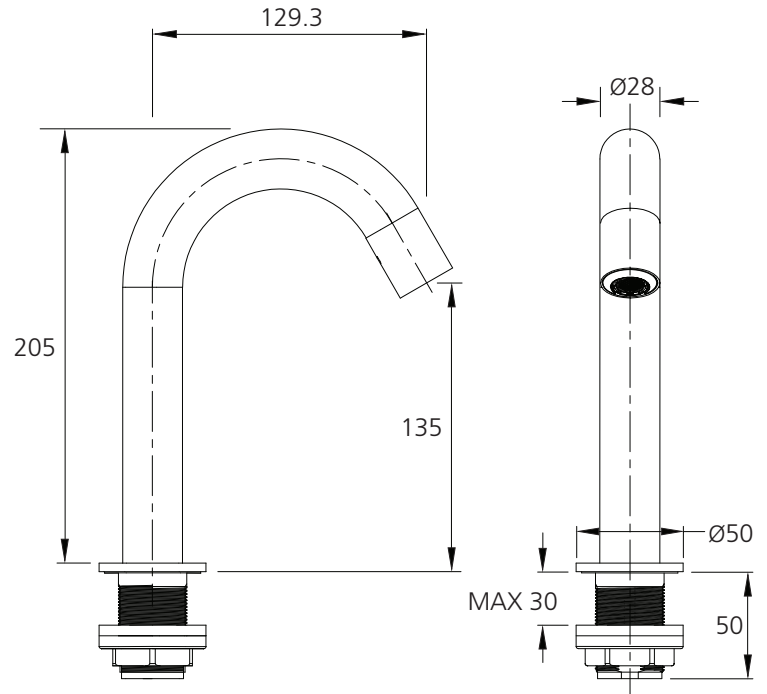


Venice

VE402CR

Chrome Basin Mounted Sensor Tap



Specifications /

WELs rating	6 Star, 6 L per minute
Water supply	Mains. Suitable for cold water or warm water (using a thermostatic mixing valve)
Temperature rating (min / max)	1°C - 55°C Operating temperature
Pressure rating (min / max)	100 kPa - 500 kPa
Power supply	DC 6V - Battery box or AC adapter (240V mains supply)
Operation	Motion sensor switch for water ON and OFF with automatic timer OFF after 70 seconds.
Sensing distance	100 mm - 300 mm
Finish	Chrome plated
Connections	1/2" BSP Female (single inlet connection only)
Materials	Brass body
Cartridge type	Solenoid valve
Product weight	2.23 kg
Warranty	5 Years (see Oliveri website for full details)
Maintenance and care instructions	All surfaces should be cleaned with mild liquid detergent or soap and water. Do not use cream cleaners or citrus based cleaning products, as they are abrasive. Use of unsuitable cleaning agents may damage the surface. Any damage caused in this way will not be covered by warranty.