

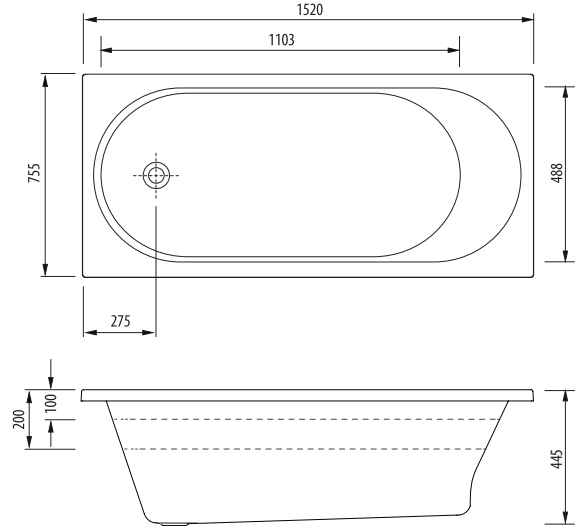
# Naples

**NA1520**

Inset Bath 1520mm With Tile Bead



All dimensions in mm



## Specifications /

|  |  |
|--|--|
| <b>Construction</b>                      | Moulded bath shell. Steel rod reinforced rim. Double reinforced bath base.   |
| <b>Material</b>                          | Premium sanitary grade acrylic   |
| <b>Finish</b>                            | High gloss   |
| <b>Colour</b>                            | White  |
| <b>Waste outlet</b>                      | Not included   |
| <b>Capacity</b>                          | 121 L  |
| <b>Installation</b>                      | Built-in   |
| <b>Weight</b>                            | 19.0 kg  |
| <b>Dimensions</b>                        | 1520 W x 755 H x 445 D mm  |
| <b>Warranty</b>                          | 15 years replacement product, 1 year parts and labour (see Oliveri website for full details)   |
| <b>Maintenance and care instructions</b> | All surfaces should be cleaned with mild liquid detergent or soap and water. Do not use cream cleaners or citrus based cleaning products, as they are abrasive. Use of unsuitable cleaning agents may damage the surface. Any damage caused in this way will not be covered by warranty. |