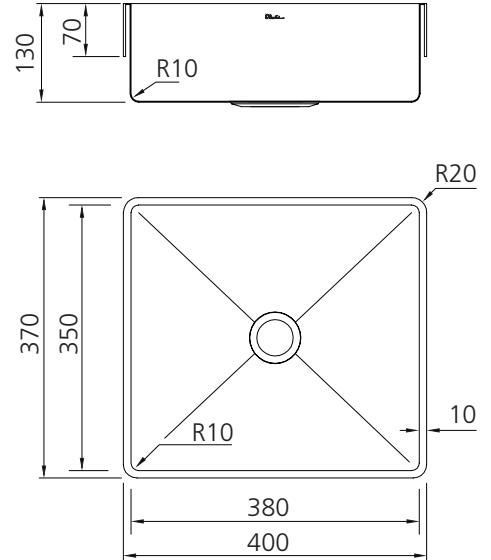


Milan

MI50BK

Rectangular Stainless Steel Inset Black Basin

All dimensions in mm



Specifications /

Basin size	400 W x 370 H x 130 D mm
Basin capacity	17.3 L
Colour	PVD Black
Material	Stainless Steel
Installation	Inset (cut-out required)
Tap holes	N/A
Waste fittings	1 x Pop-up waste included
Overflow	Not available
Carton size	460 W x 430 H x 200 D mm
Weight	6.2 kg
Warranty	Lifetime warranty on stainless steel bowl. 1 year parts & labour (see Oliveri website for full details)
Maintenance and care instructions	All surfaces should be cleaned with mild liquid detergent or soap and water. Do not use cream cleaners or citrus based cleaning products, as they are abrasive. Use of unsuitable cleaning agents may damage the surface. Any damage caused in this way will not be covered by warranty.

Included accessories /



ACPUW-BK
Pop-up Waste