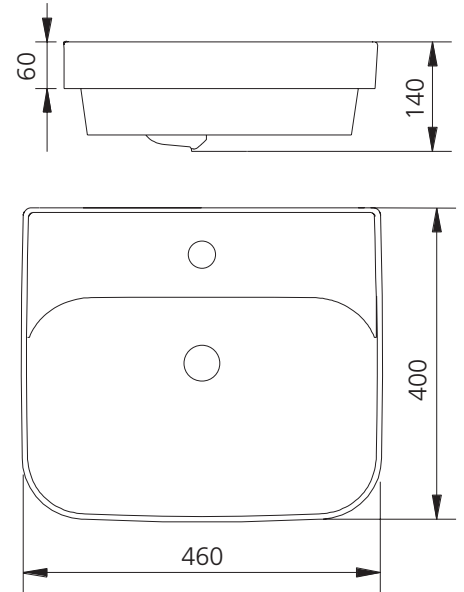


Dublin

DU7130F-N

Inset Basin With No Tap Hole

All dimensions in mm



Specifications /

Tap holes	No tap hole
Waste outlet	Pop-up waste sold separately
Overflow	Included (with plastic chrome plated overflow ring)
Colour	White
Basin size	460 W x 400 H x 140 D mm
Bowl size	460 W x 280 H x 120 D mm
Bowl capacity	3.5 L
Material	Vitreous china
Installation	Semi inset (cut out required)
Weight	13 kg
Warranty	20 years replacement parts, 1 year labour (see Oliveri website for full details)
Maintenance and care instructions	All surfaces should be cleaned with mild liquid detergent or soap and water. Do not use cream cleaners or citrus based cleaning products, as they are abrasive. Use of unsuitable cleaning agents may damage the surface. Any damage caused in this way will not be covered by warranty.