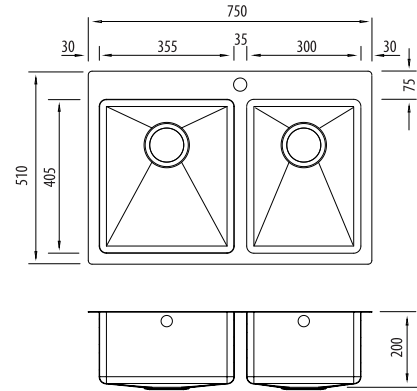


# Apollo

AP1425

1 & 3/4 Bowl Sink



All dimensions in mm

## Specifications /

<b>Sink size</b>	750W x 510H mm
<b>Bowl size</b>	Main Bowl 355W x 405H x 200D / 29L Standard Bowl 300W x 405H x 200D / 24L
<b>Construction</b>	Fabricated with 18 mm radius corners, Softtone® and soundproofing.
<b>Material</b>	304 grade, 18/10 brushed stainless steel (1.2 mm thick)
<b>Installation</b>	Topmount, undermount or flushmount
<b>Fixings</b>	Topmount clips supplied
<b>Min cabinet size</b>	800 mm
<b>Tap holes</b>	1 tap hole only (suitable for additional tap holes)
<b>Waste fittings</b>	2 x 90 mm basket wastes included
<b>Overflow</b>	Not available
<b>Carton size</b>	810 x 575 x 270 mm
<b>Weight</b>	14 kg
<b>Warranty</b>	Lifetime manufacturer's warranty (refer to Oliveri website)
<b>Maintenance and care instructions</b>	All surfaces should be cleaned with mild liquid detergent or soap and water. To maintain the shine on your Oliveri stainless steel sink, we recommended the use of any of the easy to obtain, non-abrasive stainless steel cleaners or metal polishes.

## Included accessories /

