



THIS MIXER TAP MUST BE INSTALLED BY A LICENSED PLUMBER IN ACCORDANCE WITH LOCAL REGULATIONS.

This Oliveri tap is manufactured to standard AS/NZS 3718. This product complies with the Lead Free requirements of the National Construction Code Volume 3.

MAX OPERATING PRESSURE: 5 bar (500kPa)
 RECOMMENDED OPERATION PRESSURE: 1.5-5 bar (150-500kPa)
 MAX HOT WATER TEMPERATURE: 65°C
 RECOMMENDED HOT WATER TEMPERATURE: 50°C

Where water pressure exceeds 500kPa, a pressure reducing device is required to be installed. Note that water pressure overnight can reach 150% of the daytime pressure.

Note: Installation of aerators containing flow regulators: Upon re-installation, the aerator should be tightened with an aerator key to prevent removal by hand.

Note: Ceramic Cartridges: Warranty claims will not be honoured where the ceramic cartridge has malfunctioned due to the presence in the water supply of:

- Copper tube pieces, sand, dirt or stones
- Thread tape
- Other objects not normally present in potable water supplies.

Do not remove the cartridge from the body as it has been pressure tested and tightened to a specific torque.

Before attempting any work involving mains water supply lines, ensure the water supply is shut off.

Stop valves (preferably with filters) must be used when installing your Oliveri mixer to allow isolation (not supplied with mixer). Failure to do so where required will void warranty.

This mixer tap is already pre-assembled and tested. Do not disassemble, as this may void the warranty.

This mixer tap must be installed in accordance with these instructions.

Oliveri Solutions Pty Ltd ABN 12 007 551 886

51 Naweena Rd, Regency Park SA 5010 P 08 8348 6444 E sales@oliveri.com.au

Issue Date 13/11/2023 Revision Number: V2.0

Verona



Wall Mixer Set

VA305500CR/VA305516MB/VA305502BN/VA305503CG
 VA305505GM/VA305507WH

CARE & MAINTENANCE

Clean with a soft cloth and warm soapy water as necessary - rinse and dry after cleaning. Under no circumstances should abrasive or acid based cleaning products be used.

WARRANTY

PRODUCT	COMPONENT	DOMESTIC USE	COMMERCIAL USE
Bathroom Tapware Excludes Sensor Taps	Cartridge	15 years replacement parts, 1 year labour	7 years replacement parts, 1 year labour
	Body	15 years replacement parts, 1 year labour	5 years replacement parts, 1 year labour
	Finish (chrome) VA305500CR	15 years replacement parts, 1 year labour	1 year replacement parts & labour
	Finish (PVD) VA305502BN VA305505GM	10 years replacement parts, 1 year labour	1 year replacement parts & labour
	Finish (other) VA305516MB VA305503CG VA305507WH	5 years replacement parts, 1 year labour	1 year replacement parts & labour
	Seals, tails, fittings & aerators	5 years replacement parts, 1 year labour	1 year replacement parts & labour

Subject to the terms contained in the full warranty information available at <https://oliveri.com.au/service-and-warranty>, where a genuine manufacturing defect arises within the warranty period Oliveri will, at its election, repair the defect or replace the product.

This warranty does not cover against normal wear and will be voided if the product is misused or not installed in accordance with these instructions. Note: Fitting spout-attached devices, including water filters, to this mixer will void warranty.

Our goods come with guarantees that cannot be excluded under the Australian Consumer Law. You are entitled to a replacement or refund for a major failure and for compensation for any other reasonably foreseeable loss or damage. You are also entitled to have the goods repaired or replaced if the goods fail to be of acceptable quality and the failure does not amount to a major failure.

SERVICE

If the problem represents a danger, or damage to property may occur, immediately shut off the water supply. If the mixer tap requires servicing, please contact your plumber (preferably the one who installed it). Most problems occur due to contaminated supply lines or water pressure exceeding 500kPa. Unscrew and clean the spout aerator periodically - especially if you notice a drop in water pressure.

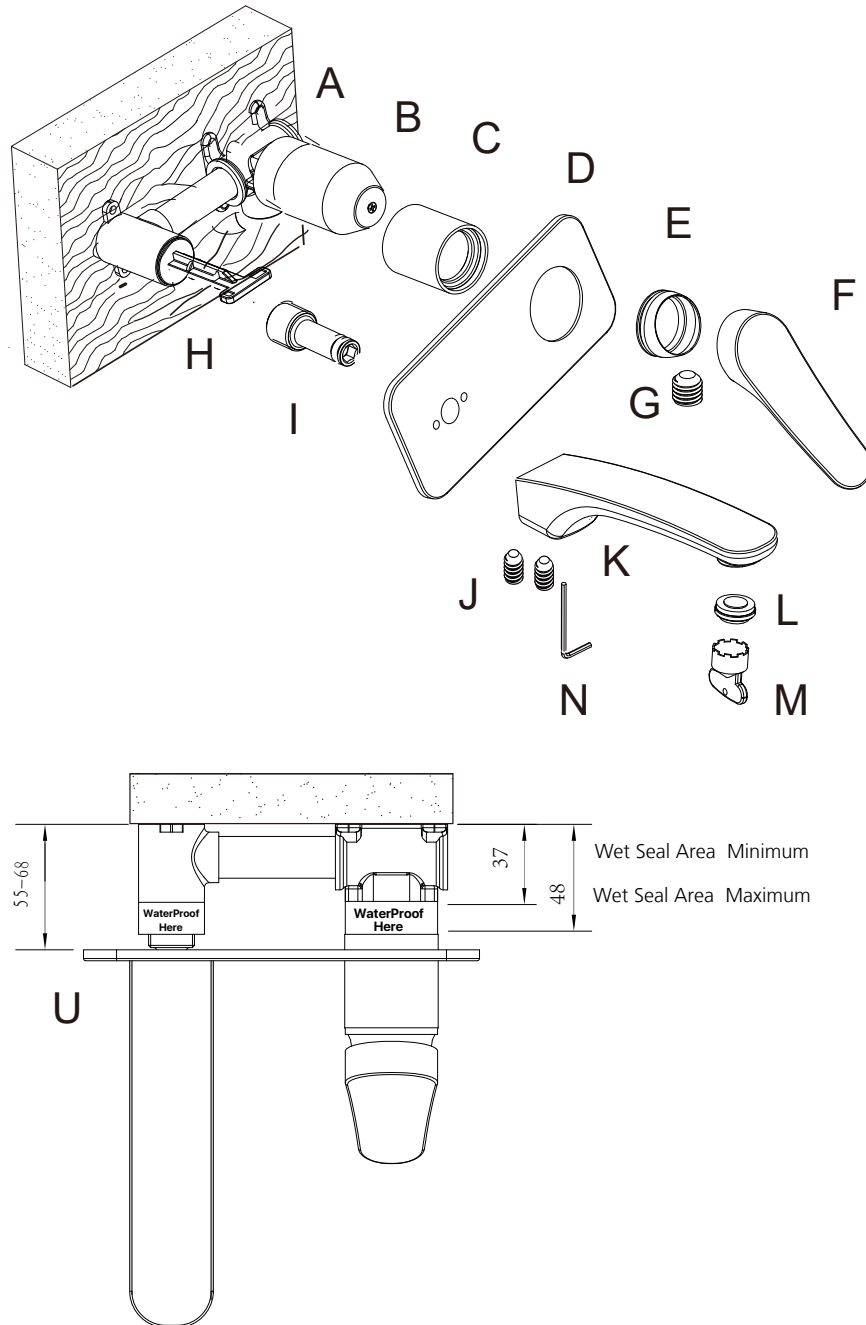
If the Plumber / Installer is satisfied that the problem is not due to poor installation, contact Oliveri's nominated Warranty Service Agent for assistance on:

Ph: (08) 8348 6444 (choose the after sales service & warranty option)

Email: warranty@oliveri.com.au

For full warranty information visit: <https://oliveri.com.au/service-and-warranty>

If a warranty service call finds that the spout does not have a genuine manufacturing fault, our Warranty Service Agent reserves the right to pass on any call-out fee to the householder.



INSTALLATION INSTRUCTIONS

General Note: This product is to be installed by a licenced plumber. Installation must comply with the AS/NZS 3500 series of Standards, Plumbing Code of Australia and applicable plumbing codes and regulations.

Pressures & Temperatures

Maximum Hydrostatic Pressure: **500kPa**. Note: AS/NZS 3500.1 Subclause 3.3.4 (Maximum pressure within buildings) states "The maximum static pressure at any outlet, other than a fire service outlet, within a building shall not exceed 500kPa. NOTE Pressures above 500kPa can cause damage from water hammer, reduced life of appliances, taps and fittings, and cause excessive noise in the system."

Minimum Hydrostatic Pressure: **150kPa**.

Maximum Temperature: **65°C**. Note: the recommended maximum delivery temperature is 50°C in line with the requirements of NCC Volume 3 Clause B2.5.

Please ensure that the lines are flushed prior to installation as contaminants in the water can damage the ceramic disc cartridge, flow regulator and affect the performance of the mixer.

1. Remove product from packaging and check for damages, if the product is damaged do not install and return to store of purchase.
2. Ensure product is complete as per exploded drawing.
3. All Wall Mixers are supplied with protection Body Covers(B),ensure the Body Cover(B) is on the mixer body.
4. Screw Mixer Body (A) to Stud Wall or Brick Cavity taking into account set out minimum and maximum from back of Mixer to Finished Wall (U).
Note: The Wall Mixer body is a three port body with Hot and Cold indication. The right port Horizontal is for cold inlet the downward port (vertical) is for hot inlet. DO NOT turn mixer upside down as the Mixer will not function correctly.
5. Remove the Plastic Protective Sleeve (B) and (H).
6. Installers, refer to inset drawing (U) to confirm installation dimensions.
7. When the product is installed over a bath the flow regulated aerator is to be removed by Aerator key (M) then fitted with open flow aerator (L).
8. Use thread seal tape to wrap Connector (I) and screw into Body (A) with Allen Key.
9. Install Sleeve (C) to body, **APPLY SOAP OR PLUMBER-GRADE GREASE TO THE O-RING.**
10. Connect Water Supply to Mixer Body (A) and check for leaks.
11. Once the wall sheeting and tiles have been fitted seal around the mixer body with plumber's grade silicon or sealing compound.
12. Fit Spout. Apply plumber grade grease on connector o-rings (I). Put on Wall Plate (D).The Wall Plate (D) is fitted with concealed o-rings, to assist with assembly over mixer body place the Spout (K) on to Connector (I). Align spout and fix in place using Grub Screw (J).
13. Put the Decorative Cover (E) into the Sleeve (C), pay attention to the highest point down, so as not to scratch the Handle (F).
14. Fit Handle (F). Screw in Handle Grub Screw (G) by using Allen key (N).

TO THE CONSUMER

1. The mixer is to only be cleaned with warm soapy water and a soft cloth.
2. Under no circumstances should any abrasive, cream or acid based cleaning agents be used as these types of cleaners will damage the finish, cartridge, seals and aerators.