

# Vilo

Italian made 

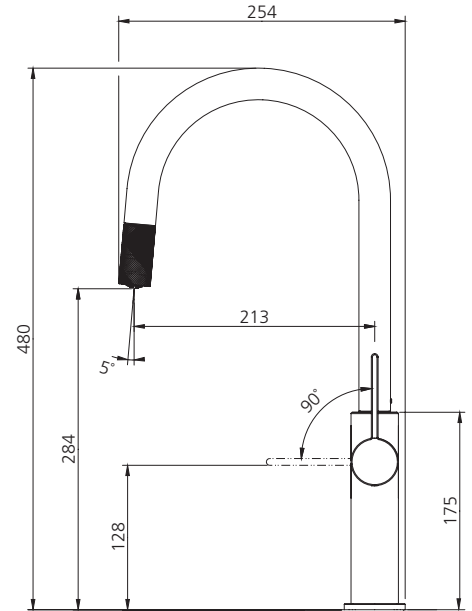
Lead  FREE

## VT2400-GM

Gunmetal Goose Neck Pull Out Mixer

All dimensions in mm

**Cold Start Functionality.**  
Helping reduce water and energy consumption.



### Specifications /

<b>WELS rating</b>	5 Stars, 6.0 L per minute
<b>WELS registration number</b>	T47891
<b>Temperature rating (min / max)</b>	5°C - 70°C
<b>Pressure rating (min / max)</b>	50 kPa - 500 kPa
<b>Materials</b>	Brass body (DZR lead-free)
<b>Finish</b>	Gunmetal (PVD)
<b>Spout function(s)</b>	Pull out hose (with approximately 300 mm extension)
<b>Cartridge</b>	Kerox ceramic disc; Size: 35 mm; Operation: Cold start
<b>Installation</b>	Benchtop max. thickness: 50 mm; Hole size: Ø35 mm
<b>Inlet hoses</b>	Connection: 1/2" BSP; Length: 550 mm
<b>Carton size</b>	800 x 325 x 85 mm
<b>Product weight</b>	4.0 kg
<b>Water supply</b>	Mains
<b>Warranty</b>	15 years (refer to Oliveri website for details)
<b>Maintenance and care instructions</b>	All surfaces should be cleaned with mild liquid detergent or soap and water. Do not use cream cleaners or citrus based cleaning products, as they are abrasive. Use of unsuitable cleaning agents may damage the surface. Any damage caused in this way will not be covered by warranty.