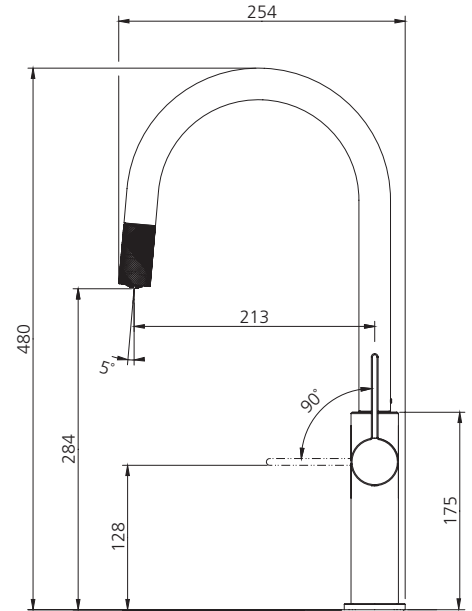


VT2400-BN Brushed Nickel Goose Neck Pull Out Mixer

Cold Start Functionality.
Helping reduce water and energy consumption.



Specifications /

WELS rating	5 Stars, 6.0 L per minute
WELS registration number	T47891
Temperature rating (min / max)	5°C - 70°C
Pressure rating (min / max)	50 kPa - 500 kPa
Materials	Brass body (DZR lead-free)
Finish	Brushed Nickel (galvanic)
Spout function(s)	Pull out hose (with approximately 300 mm extension)
Cartridge	Kerox ceramic disc; Size: 35 mm; Operation: Cold start
Installation	Benchtop max. thickness: 50 mm; Hole size: Ø35 mm
Inlet hoses	Connection: 1/2" BSP; Length: 550 mm
Carton size	800 x 325 x 85 mm
Product weight	4.0 kg
Water supply	Mains
Warranty	15 years (refer to Oliveri website for details)
Maintenance and care instructions	All surfaces should be cleaned with mild liquid detergent or soap and water. Do not use cream cleaners or citrus based cleaning products, as they are abrasive. Use of unsuitable cleaning agents may damage the surface. Any damage caused in this way will not be covered by warranty.