



THIS MIXER TAP MUST BE INSTALLED BY A LICENSED PLUMBER IN ACCORDANCE WITH LOCAL REGULATIONS.

This Oliveri tap is manufactured to standard AS/NZS 3718.

MAX OPERATING PRESSURE:.....	5 bar (500kPa)
RECOMMENDED OPERATION PRESSURE:.....	1.5-5 bar (150-500kPa)
MAX HOT WATER TEMPERATURE:.....	65°C
RECOMMENDED HOT WATER TEMPERATURE:.....	50°C

Where water pressure exceeds 500kPa, a pressure reducing device is required to be installed. Note that water pressure overnight can reach 150% of the daytime pressure.

Note: Installation of aerators containing flow regulators: Upon re-installation, the aerator should be tightened with an aerator key to prevent removal by hand.

Note: Ceramic Cartridges: Warranty claims will not be honoured where the ceramic cartridge has malfunctioned due to the presence in the water supply of:

- Copper tube pieces, sand, dirt or stones
- Thread tape
- Other objects not normally present in potable water supplies.

Do not remove the cartridge from the body as it has been pressure tested and tightened to a specific torque.

Before attempting any work involving mains water supply lines, ensure the water supply is shut off.

Stop valves (preferably with filters) must be used when installing your Oliveri mixer to allow isolation (not supplied with mixer). Failure to do so where required will void warranty.

This mixer tap is already pre-assembled and tested. Do not disassemble, as this may void the warranty.

This mixer tap must be installed in accordance with these instructions.

Oliveri Solutions Pty Ltd ABN 12 007 551 886
 51 Naweena Rd, Regency Park SA 5010 P 08 8348 6444 E sales@oliveri.com.au

Issue Date 12/03/2023 Revision Number: V1.0

Venice



Pull Out Goose Neck Mixer

VE520CR-P / VE520MB-P / VE520BN-P

CARE & MAINTENANCE

Clean with a soft cloth and warm soapy water as necessary - rinse and dry after cleaning. Under no circumstances should abrasive or acid based cleaning products be used.

WARRANTY

PRODUCT	COMPONENT	DOMESTIC USE	COMMERCIAL USE
Kitchen Tapware London	Cartridge	10 years replacement parts, 1 year labour	7 years replacement parts, 1 year labour
	Body	7 years replacement parts, 1 year labour	1 years replacement parts, & labour
	Finish (chrome) VE520CR-P	7 years replacement parts, 1 year labour	1 year replacement parts & labour
	Finish (Other) VE520BN-P, VE520MB-P	5 years replacement parts, 1 year labour	1 year replacement parts & labour

Subject to the terms contained in the full warranty information available at <https://oliveri.com.au/service-and-warranty>, where a genuine manufacturing defect arises within the warranty period Oliveri will, at its election, repair the defect or replace the product.

This warranty does not cover against normal wear and will be voided if the product is misused or not installed in accordance with these instructions. Note: Fitting spout-attached devices, including water filters, to this mixer will void warranty.

Our goods come with guarantees that cannot be excluded under the Australian Consumer Law. You are entitled to a replacement or refund for a major failure and for compensation for any other reasonably foreseeable loss or damage. You are also entitled to have the goods repaired or replaced if the goods fail to be of acceptable quality and the failure does not amount to a major failure.

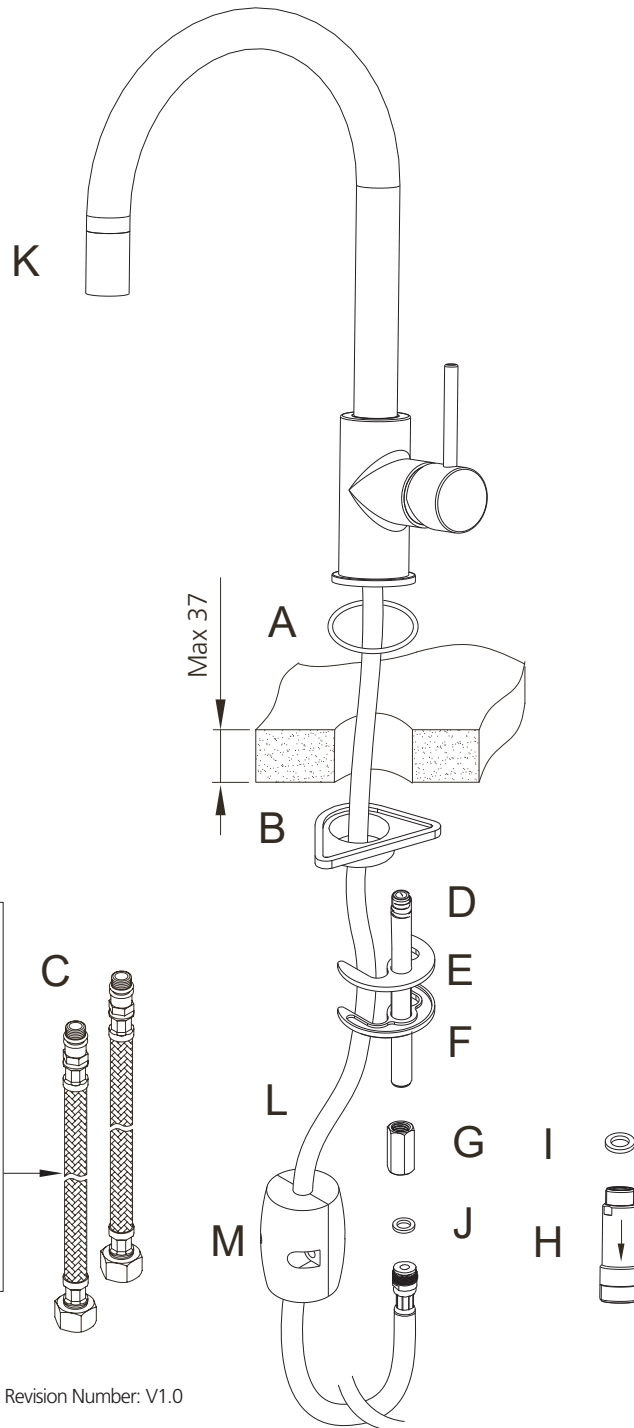
SERVICE

If the problem represents a danger, or damage to property may occur, immediately shut off the water supply. If the mixer tap requires servicing, please contact your plumber (preferably the one who installed it). Most problems occur due to contaminated supply lines or water pressure exceeding 500kPa. Unscrew and clean the spout aerator periodically - especially if you notice a drop in water pressure.

If the Plumber / Installer is satisfied that the problem is not due to poor installation, contact Oliveri's nominated Warranty Service Agent for assistance on:

Ph: (08) 8348 6444 (choose the after sales service & warranty option)
 Email: warranty@oliveri.com.au
 For full warranty information visit: <https://oliveri.com.au/service-and-warranty>

If a warranty service call finds that the spout does not have a genuine manufacturing fault, our Warranty Service Agent reserves the right to pass on any call-out fee to the householder.



Braided flexible hoses must be inspected every 12 months for warning signs of failure including bulging, rust spots, wear, moisture, snapped threads, kinking, water staining, general corrosion or discolouration. Mixer tails showing any signs of the above mentioned warning signs must be replaced immediately.

INSTALLATION INSTRUCTIONS

General Note: This product is to be installed by a licensed plumber, installation must comply with AS/NZS 3500 and local plumbing codes.

Pressures & Temperatures

Maximum Hydrostatic Pressure – 500 kPa. (As per AS/NZS 3500).

Note: AS/NZS 3500.1-2003 (Clause 3.3.4) states that "Provision shall be made to ensure that the maximum static pressure at any outlet, other than a fire service outlet, within a building does not exceed 500 kPa.

Note: Pressures above 500kPa can cause damage from water hammer, reduced life of appliances, taps and fittings, and cause excessive noise in the system.

Minimum Hydrostatic Pressure – 100 kPa. The Maximum operating temperature for the mixer tap is 65 °C.

Please ensure that the lines are flushed prior to installation as contaminants in the water can damage the ceramic cartridge, flow regulator and also affect the performance of the Mixer.

1. Remove product from packaging and check for damage, if the product is damaged do not install and return to store of purchase.
2. The WELS compliant aerator has been pre-assembled into the mixer outlet. To comply with WELS the flow regulator must remain in place.
3. Ensure Product is complete as per exploded drawing.
4. A single 35mm hole is required in the mounting surface.
5. The maximum mounting surface thickness cannot exceed 37 mm.
6. Ensure bench sealing washer (A) is in place on base of the Mixer.
7. Firmly screw the Mixer Tails (C) into base of the Mixer being careful to avoid damage to the o'ring seals, the Mixer Tails are colour coded, red for hot and blue for cold, the Mixer base inlet holes are stamped with 'H' for hot and 'C' for cold, or red mark for hot and blue mark for cold.
8. Screw Threaded Rod (D) into base of Mixer.
9. Feed the Mixer Tails (C) and (L) through the mounting surface each Tail alternately. Feed the Braided Hose through the mounting surface and the Stabiliser Plate (B), and position the mixer on the mounting surface ensuring the Dress Ring (A) and Stabiliser Plate (B) are positioned correctly.
10. Slide Rubber Horse Shoe (E) onto the Threaded Inlet Tube (D) followed by Metal Horse shoe Plate (F).
N.B The Mixer Tails should be positioned towards the user and the Fixing/Inlet tube to the back.
11. Using Fixing Nut (G) tighten Mixer to the mounting surface.
12. Screw Dual Check Valve (H) to end of Inlet Tube (D) ensuring sealing washer (I) is in place.
13. Screw male threaded end of Braided Hose (L) into Hose Dual Check Valve (H) ensuring sealing washer (J) is in place.
14. Connect Mixer Tails (C) to mains water supply line.
15. **N.B Ensure the Mixer Tails are not kinked, bent, stretched or twisted when assembling to the mains water supply. The Mixer Tail connection between the Mixer and the water supply must have a natural curve. Ensure Mixer Tails are not exposed to abrasions, corrosive agents or the like.**
16. It is recommended that In-Line filters be installed to ensure a cleaner flow of water to the Mixer.
17. The Braided Mixer Hose (L) will have a natural curve under the mounting surface. On the hand piece side of the curve, fit the Return Weight (M) using the two screws provided. Fit the Weight approximately 100mm up from the bottom of the curve on the hand piece side, the position can be adjusted to suit but the weight must remain on the hand piece side of the curve.
18. Pull the hand piece (K) out from the Mixer to test hose extension, release the hand piece (K) to ensure that it returns accurately back into the Mixer cradle.

TO THE CONSUMER

1. The Mixer is to only be cleaned with warm soapy water and a soft cloth.
2. **Under no circumstances** should any abrasive, cream or acid based cleaning agents be used, as these types of cleaners can damage the finish, cartridge, seals and Mixer aerator.