

Verona



VA305505GM-TK

Gunmetal Wall Mixer Set - Trim Kit Only

All dimensions in mm



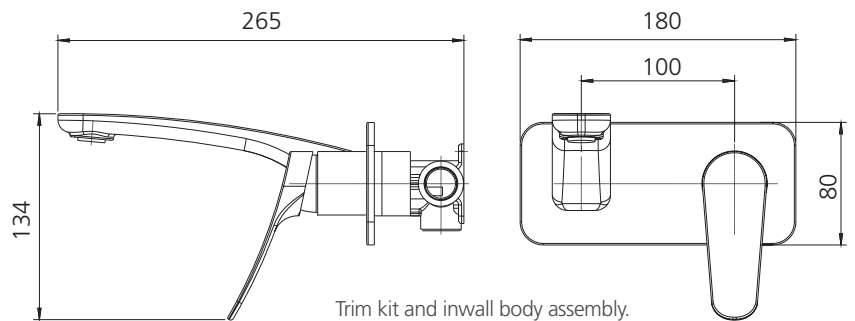
Included components

Interchangeable trim kit: Backplate, spout, handle, cartridge sleeve and dome cover.

SERIES 1

Inwall body not included

Requires Verona Wall Mixer Set Inwall Body: UNI-C1-BY.



Trim kit and inwall body assembly.

Specifications /

WELS rating	5 Stars, 6 L per minute
WELS registration number	T43012
Temperature rating (min / max)	1°C - 65°C
Pressure rating (min / max)	150 kPa - 500 kPa
Finish	Gunmetal (PVD with finger print resistant coating)
Materials	Lead free brass body and zinc handle
Compatibility	For use with Verona Wall Mixer Set Inwall Body (UNI-C1-BY)
Product weight	1.22 kg
Carton size	250 x 130 x 60 mm
Water supply	Mains
Warranty	15 years body; 10 years finish; 1 year labour (see Oliveri website for full details)
Maintenance and care instructions	All surfaces should be cleaned with mild liquid detergent or soap and water. Do not use cream cleaners or citrus based cleaning products, as they are abrasive. Use of unsuitable cleaning agents may damage the surface. Any damage caused in this way will not be covered by warranty.