

Verona

Lead FREE

VA305502BN-TK

Brushed Nickel Wall Mixer Set - Trim Kit Only

All dimensions in mm



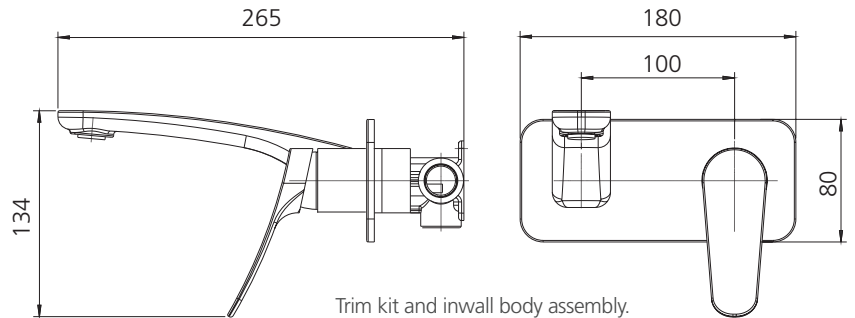
Included components

Interchangeable trim kit: Backplate, spout, handle, cartridge sleeve and dome cover.

SERIES 1

Inwall body not included

Requires Verona Wall Mixer Set Inwall Body: UNI-C1-BY.



Trim kit and inwall body assembly.

Specifications /

| | |
|--|--|
| WELS rating | 5 Stars, 6 L per minute |
| WELS registration number | T43012 |
| Temperature rating (min / max) | 1°C - 65°C |
| Pressure rating (min / max) | 150 kPa - 500 kPa |
| Finish | Brushed nickel (PVD with finger print resistant coating) |
| Materials | Lead free brass body and zinc handle |
| Compatibility | For use with Verona Wall Mixer Set Inwall Body (UNI-C1-BY) |
| Product weight | 1.22 kg |
| Carton size | 250 x 130 x 60 mm |
| Water supply | Mains |
| Warranty | 15 years body; 10 years finish; 1 year labour (see Oliveri website for full details) |
| Maintenance and care instructions | All surfaces should be cleaned with mild liquid detergent or soap and water. Do not use cream cleaners or citrus based cleaning products, as they are abrasive. Use of unsuitable cleaning agents may damage the surface. Any damage caused in this way will not be covered by warranty. |