

Verona

Lead FREE

VA305500CR (Verona Inwall Body: UNI-C1-BY / Trim Kit: VA305500CR-TK)
 Chrome Wall Mixer Set

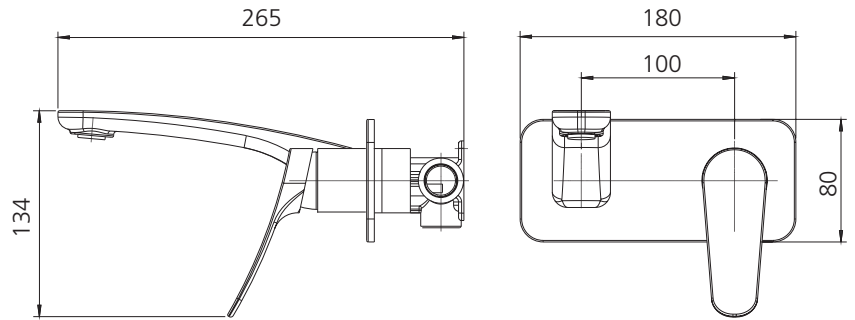
All dimensions in mm

Complete
 Inwall Body
 and
 Trim Kit



Included components

- Inwall Body (Verona range)
- Trim Kit (backplate, spout, handle, cartridge sleeve and dome cover)



Specifications /

WELs rating	5 Stars, 6 L per minute
Temperature rating (min / max)	1°C - 65°C
Pressure rating (min / max)	150 kPa - 500 kPa
Finish	Chrome (electroplated)
Materials	Lead free brass body and zinc handle
Cartridge size	35 mm
Cartridge type	Ceramic disc cartridge
Product weight	1.97 kg
Carton size	250 x 130 x 60 mm
Water supply	Mains
Warranty	15 years cartridge, body and finish; 5 years seals, fittings, aerators; 1 year labour (see Oliveri website for full details)
Maintenance and care instructions	All surfaces should be cleaned with mild liquid detergent or soap and water. Do not use cream cleaners or citrus based cleaning products, as they are abrasive. Use of unsuitable cleaning agents may damage the surface. Any damage caused in this way will not be covered by warranty.