

Verona

VA304500CR-TK

Chrome Wall Mixer With Diverter - Trim Kit Only



All dimensions in mm

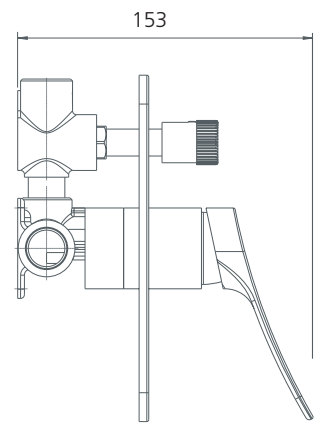
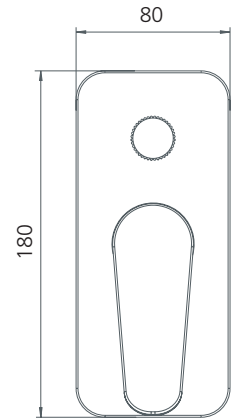
Included components

Interchangeable trim kit: Backplate, handle, diverter twist pin, cartridge sleeve and dome cover.

SERIES 1

Inwall body not included

Requires Verona Wall Mixer with Diverter Inwall Body: UNI-B1-BY.



Trim kit and inwall body assembly.

Specifications /

Finish	Chrome (electroplated)
Materials	Lead free brass body and zinc handle
Compatibility	For use with Verona Wall Mixer With Diverter Inwall Body (UNI-B1-BY)
Product weight	1.02 kg
Carton size	190 x 90 x 60 mm
Warranty	15 years parts and finish; 1 year labour (see Oliveri website for full details)
Maintenance and care instructions	All surfaces should be cleaned with mild liquid detergent or soap and water. Do not use cream cleaners or citrus based cleaning products, as they are abrasive. Use of unsuitable cleaning agents may damage the surface. Any damage caused in this way will not be covered by warranty.