

# Verona

Lead FREE

All dimensions in mm

**VA303502BN** (Verona Inwall Body: UNI-A1-BY / Trim Kit: VA303502BN-TK)  
Brushed Nickel Wall Mixer

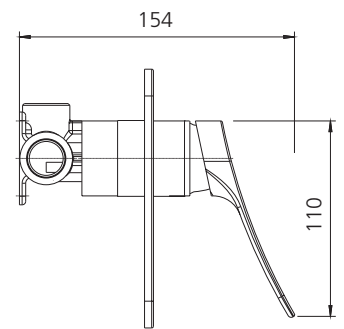
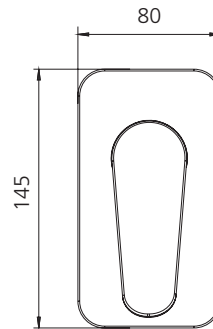
Complete  
Inwall Body  
and  
Trim Kit

SERIES 1



**Included components**

Inwall body (compatible with Verona range) and interchangeable trim kit.



## Specifications /

<b>Temperature rating (min / max)</b>	1°C - 65°C
<b>Pressure rating (min / max)</b>	150 kPa - 500 kPa
<b>Finish</b>	Brushed nickel (PVD with finger print resistant coating)
<b>Materials</b>	Lead free brass body and zinc handle
<b>Cartridge size</b>	35 mm
<b>Cartridge type</b>	Ceramic disc cartridge
<b>Product weight</b>	1.0 kg
<b>Carton size</b>	150 x 90 x 60 mm
<b>Water supply</b>	Mains
<b>Warranty</b>	15 years cartridge and body; 10 years finish; 1 year labour (see Oliveri website for full details)
<b>Maintenance and care instructions</b>	All surfaces should be cleaned with mild liquid detergent or soap and water. Do not use cream cleaners or citrus based cleaning products, as they are abrasive. Use of unsuitable cleaning agents may damage the surface. Any damage caused in this way will not be covered by warranty.