

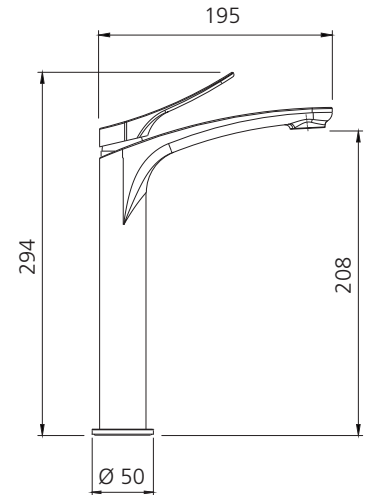
Verona

VA301503CG

Classic Gold Tower Basin Mixer

Lead  FREE

All dimensions in mm



Specifications /

WELS rating	5 Stars, 6 L per minute
WELS registration number	T43011
Temperature rating (min / max)	1°C - 65°C
Pressure rating (min / max)	150 kPa - 500 kPa
Finish	Classic gold (electrophoretic painting)
Materials	Lead free brass body and zinc handle
Cartridge size	25 mm
Cartridge type	Ceramic disc cartridge
Product weight	2.2 kg
Carton size	300 x 240 x 140 mm
Mixer height	294 mm
Water supply	Mains
Warranty	15 years cartridge and body; 5 years finish, seals, tails, fittings, aerators; 1 year labour (see Oliveri website for full details)
Maintenance and care instructions	All surfaces should be cleaned with mild liquid detergent or soap and water. Do not use cream cleaners or citrus based cleaning products, as they are abrasive. Use of unsuitable cleaning agents may damage the surface. Any damage caused in this way will not be covered by warranty.