

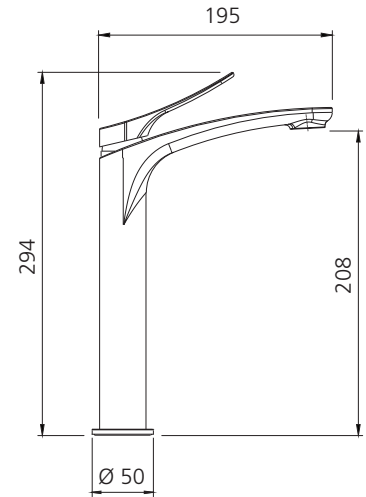
# Verona

**VA301500CR**

Chrome Tower Basin Mixer

Lead  **FREE**

All dimensions in mm



## Specifications /

|  |  |
|--|--|
| <b>WELs rating</b>                       | 5 Stars, 6 L per minute  |
| <b>Temperature rating (min / max)</b>    | 1°C - 65°C   |
| <b>Pressure rating (min / max)</b>       | 150 kPa - 500 kPa  |
| <b>Finish</b>                            | Chrome (electroplated)   |
| <b>Materials</b>                         | Lead free brass body and zinc handle   |
| <b>Cartridge size</b>                    | 25 mm  |
| <b>Cartridge type</b>                    | Ceramic disc cartridge   |
| <b>Carton size</b>                       | 300 x 240 x 140 mm   |
| <b>Product weight</b>                    | 2.2 kg   |
| <b>Mixer height</b>                      | 294 mm   |
| <b>Water supply</b>                      | Mains  |
| <b>Warranty</b>                          | 15 years cartridge, body and finish; 5 years seals, tails, fittings, aerators; 1 year labour (see Oliveri website for full details)  |
| <b>Maintenance and care instructions</b> | All surfaces should be cleaned with mild liquid detergent or soap and water. Do not use cream cleaners or citrus based cleaning products, as they are abrasive. Use of unsuitable cleaning agents may damage the surface. Any damage caused in this way will not be covered by warranty. |