

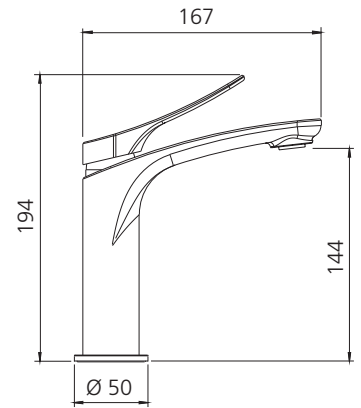
# Verona

VA300502BN

Brushed Nickel Basin Mixer



All dimensions in mm



## Specifications /

<b>WELS rating</b>	5 Stars, 6 L per minute
<b>WELS registration number</b>	T43010
<b>Temperature rating (min / max)</b>	1°C - 65°C
<b>Pressure rating (min / max)</b>	150 kPa - 500 kPa
<b>Finish</b>	Brushed nickel (PVD with finger print resistant coating)
<b>Materials</b>	Lead free brass body and zinc handle
<b>Cartridge size</b>	25 mm
<b>Cartridge type</b>	Ceramic disc cartridge
<b>Product weight</b>	1.36 kg
<b>Carton size</b>	320 x 170 x 60 mm
<b>Mixer height</b>	194 mm
<b>Water supply</b>	Mains
<b>Warranty</b>	15 years cartridge and body; 10 years finish; 5 years seals, tails, fittings, aerators; 1 year labour (see Oliveri website for full details)
<b>Maintenance and care instructions</b>	All surfaces should be cleaned with mild liquid detergent or soap and water. Do not use cream cleaners or citrus based cleaning products, as they are abrasive. Use of unsuitable cleaning agents may damage the surface. Any damage caused in this way will not be covered by warranty.