

Oliveri®



THIS MIXER TAP MUST BE INSTALLED BY A LICENSED PLUMBER IN ACCORDANCE WITH LOCAL REGULATIONS.

This Oliveri tap is manufactured to standard AS/NZS 3718.

This product complies with the Lead Free requirements of the National Construction Code Volume 3.

MAX OPERATING PRESSURE: 5 bar (500kPa)
 RECOMMENDED OPERATION PRESSURE: 1.5-5 bar (150-500kPa)
 MAX HOT WATER TEMPERATURE: 65°C
 RECOMMENDED HOT WATER TEMPERATURE: 50°C

Where water pressure exceeds 500kPa, a pressure reducing device is required to be installed. Note that water pressure overnight can reach 150% of the daytime pressure.

Note: Installation of aerators containing flow regulators.
 Upon re-installation, the aerator should be tightened with an aerator key to prevent removal by hand.

Note: Ceramic Cartridges - Warranty claims will not be honoured where the ceramic cartridge has malfunctioned due to the presence in the water supply of;

- Copper tube pieces, sand, dirt or stones
- Thread tape
- Other objects not normally present in potable water supplies.

Do not remove the cartridge from the body as it has been pressure tested and tightened to a specific torque.

Before attempting any work involving mains water supply lines, ensure the water supply is shut off.

Stop valves (preferably with filters) must be used when installing your Oliveri mixer to allow isolation (not supplied with mixer). Failure to do so where required will void warranty.

This mixer tap is already pre-assembled and tested. Do not disassemble, as this may void the warranty.

This mixer tap must be installed in accordance with these instructions.

Oliveri Solutions Pty Ltd ABN 12 007 551 886
 51 Naweena Rd, Regency Park SA 5010 P 08 8348 6444 E sales@oliveri.com.au

Essente

Oliveri®

Stainless Steel Square Goose Neck Pull Out Mixer SS31675 / SS31675-AU / SS31675-BL / SS31675-GM / SS31675-CU

CARE & MAINTENANCE

Unscrew and clean the spout aerator periodically - especially if you notice a drop in water pressure. The finish on your Oliveri mixer tap will resist stains and dirt build up.

Clean with a soft cloth and warm soapy water as necessary - rinse and dry after cleaning. Avoid using abrasive or acid based cleaning products.

WARRANTY FOR DOMESTIC USE

This mixer tap is warranted to be free from manufacturing defects for a period of 15 Years: Cartridge: 15 years replacement parts, 1 year labour; Body including handle: 7 years replacement parts and labour; Finish: 5 years replacement parts, 1 year labour; Seals, tails, aerators, pull-out hoses and spray heads: 1 year replacement parts and labour.

Where a genuine manufacturing defect arises within the warranty period Oliveri will, at its election, repair the defect or replace the product subject to the terms contained in the full warranty information available at <https://oliveri.com.au/service-and-warranty>.

This warranty does not cover against normal wear and will be voided if the product is misused or not installed in accordance with these instructions. Note: Fitting spout-attached devices, including water filters, to this mixer will void warranty.

Our goods come with guarantees that cannot be excluded under the Australian Consumer Law. You are entitled to a replacement or refund for a major failure and for compensation for any other reasonably foreseeable loss or damage. You are also entitled to have the goods repaired or replaced if the goods fail to be of acceptable quality and the failure does not amount to a major failure.

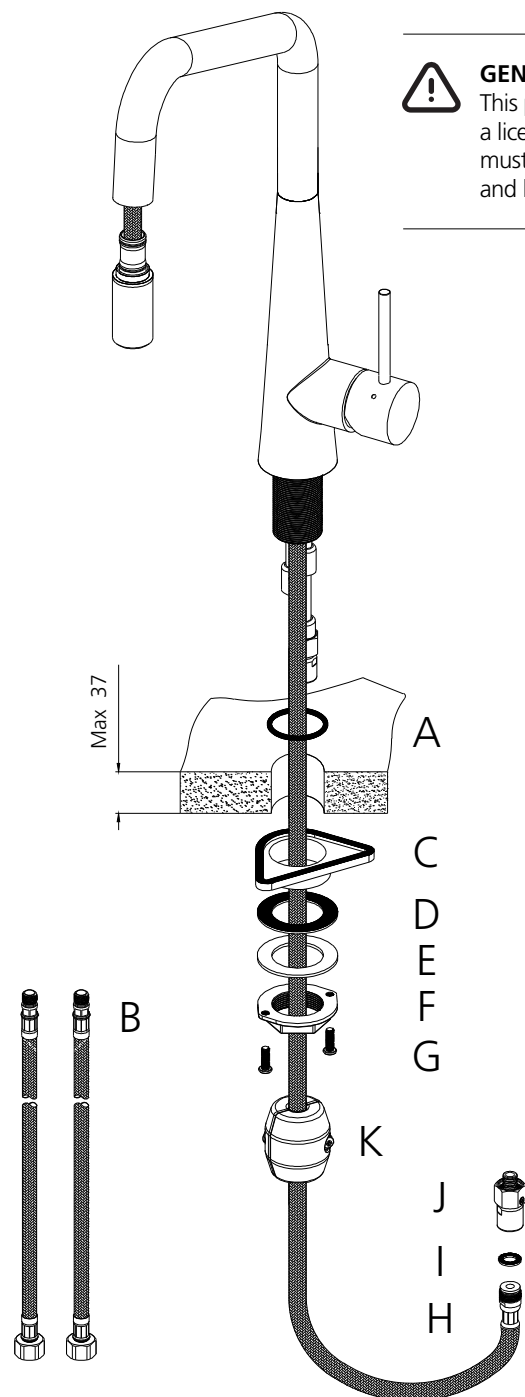
SERVICE

If the problem represents a danger, or damage to property may occur, immediately shut off the water supply. If the mixer tap requires servicing, please contact your plumber (preferably the one who installed it). Most problems occur due to contaminated supply lines or water pressure exceeding 500kPa. Unscrew and clean the spout aerator periodically - especially if you notice a drop in water pressure.

If the plumber / installer is satisfied that the problem is not due to poor installation, contact Oliveri's nominated Warranty Service Agent for assistance on:

Ph: (08) 8348 6444 (choose the after sales service and warranty option)
 Email: warranty@oliveri.com.au
 For full warranty information visit: <https://oliveri.com.au/service-and-warranty>

If a warranty service call finds that the product does not have a genuine manufacturing fault, our Warranty Service Agent reserves the right to pass on any call-out fee to the householder.



GENERAL NOTE

This product is to be installed by a licensed plumber, installation must comply with AS/NZS 3500 and local plumbing codes.

PRESSURES & TEMPERATURES

Maximum Hydrostatic Pressure – 500kPa. (As per AS/NZS3500)

Note: AS/NZS 3500.1-2003 (Clause 3.3.4) states that "Provision shall be made to ensure that the maximum static pressure at any outlet, other than a fire service outlet, within a building does not exceed 500kPa."

Note: Pressures above 500kPa can cause damage from water hammer, reduced life of appliances, taps and fittings, and cause excessive noise in the system. Minimum Hydrostatic Pressure : 100kPa.

Note: This Product may not be suitable for use with low pressure/gravity feed water supplies or with some continuous flow/instantaneous hot water systems. The maximum operating temperature for the Mixer Tap is 65°C. The recommended maximum delivery temperature is 50°C.

Please ensure that the lines are flushed prior to installation as contaminants in the water can damage the Ceramic Cartridge, flow regulator and also affect the performance of the Mixer.

Note: This mixer is designed to have the handle to the right hand side of the mixer, doing so will put the cold inlet to the front of the mixer, the purpose is to assist with accidental scalding if a child pulls the handle forward trying to turn on the mixer, installing the handle to the centre will put the cold on the left hand side which is not recommended.

1. Remove product from packaging and check for damages, if the product is damaged do not install and return to store of purchase.
2. The WELS compliant aerator has been pre-assembled into the mixer outlet. To comply with WELS the flow regulated aerator must remain in place.
3. Ensure product is complete as per exploded drawing.
4. A single 35mm hole is required in the mounting surface.
5. The maximum mounting surface thickness cannot exceed 37mm.
6. Fit O-ring (A) to bottom of mixer body.
7. Screw Mixer Tails (B) into the base of the mixer being careful not to damage to the O-ring seals. Hand tighten only.
8. Feed male end of Braided Hose (H) through top of mounting surface.
N.B. Hose Adaptor (J) and Washer (I) are lightly screwed to male end of Hose (H), this fitting will need to be removed for ease of feeding hose through mounting surface.
9. Feed the Mixer Tails (B) through the mounting surface, each tail alternatively.
10. The mixer inlet ports are colour coded, red for hot and blue for cold.
11. Position mixer on the mounting surface ensuring the Sealing Washer (A) is positioned correctly.
12. Feed mixer tails, each alternatively through Stabiliser Plate (C).
13. Slide Rubber Washer (D) onto mixer thread followed by Metal Washer (E).
14. Using Fixing Nut (F), tighten mixer to mounting surface, lock fixing nut in place with Screws (G).
15. Screw Hose Adaptor (J) to male threaded end of Hose (H) ensuring Sealing Washer (I) is in place.
16. Screw Hose Adaptor (J) to Mixer Water Outlet port being careful to avoid damage to the O-ring seals.
17. Connect Mixer tails (B) to mains water 1/2" stop cock. Tighten to 10Nm. **Do NOT overtighten.**
18. **N.B. Ensure the Mixer Tails are not kinked, bent, stretched or twisted when assembling to the mains water supply. The mixer tail connection between the mixer and the water supply must have a natural curve (minimum bend radius 30 mm).** Ensure Mixer tails are installed indoors, above-ground, and remain accessible - do not bury, submerge, install behind a wall, floor or ceiling. Do not expose to abrasions, corrosive agents or the like. Test for leaks: If a leak occurs, retighten slightly.
19. It is recommended that in-line filters be installed to ensure a cleaner flow of water to the mixer.
20. The Braided hose will have a natural curve under the mounting surface, on the hand piece side of the curve fit the Return Weight (K) using the two screws provided. Fit the weight approximately 100mm up from the bottom of the curve, the position can be adjusted to suit but the weight must remain on the hand piece side of the curve.

TO THE CONSUMER

1. The mixer is to only be cleaned with warm soapy water.
2. **Under no circumstances** should any abrasive, cream or acid based cleaning agents be used as these types of cleaners will damage the tap finish, cartridge, seals and aerators.