

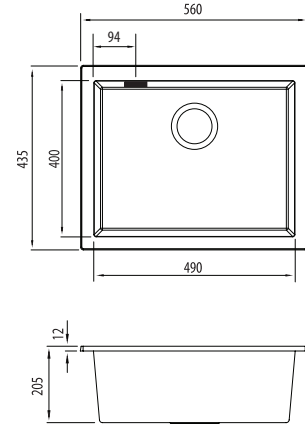
Santorini

Italian made

All dimensions in mm

ST-MB1550U OF

Matte Black Large Bowl Undermount Sink

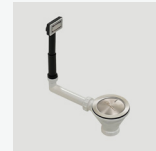


Overflow location

Specifications /

Sink size	560W x 435H mm
Bowl size	Large Bowl 490W x 400H x 200D / 39L
Construction	Moulded granite
Material	80% granite and quartz particles and 20% acrylic
Installation	Undermount
Fixings	Available on request
Min cabinet size	600 mm
Tap holes	N/A
Waste fittings	1 x 90 mm basket waste included
Overflow	Overflow kit included
Carton size	720 x 600 x 280 mm
Weight	10 kg
Warranty	Lifetime manufacturer's warranty (refer to Oliveri website)
Maintenance and care instructions	Clean the sink regularly with warm water, a liquid detergent and a soft cloth. Do not use abrasive powders or creams and avoid chemically aggressive detergents. Generic stains should be removed immediately with very hot water and a cleaning product. For organic stains which are especially difficult to remove, it is recommended that you fill the sink with a highly diluted organic cleaner such as bleach and let stand overnight. The next morning, rinse with warm water and a soft cloth.

Included accessories /



AC10
Basket Waste with
Rectangular Overflow