

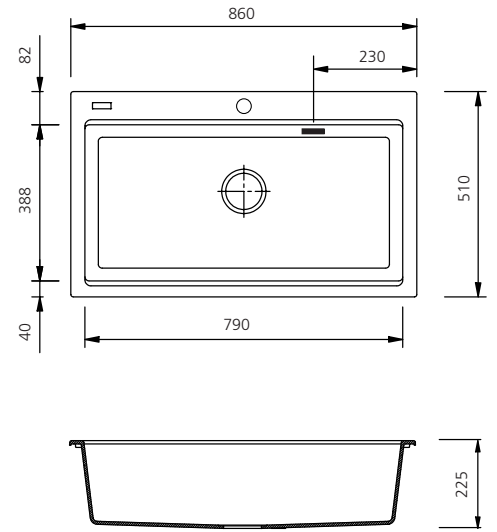
Santorini

Italian made

All dimensions in mm

ST-BL1596 OF

Black Topmount Workstation Sink

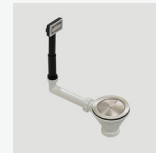


Overflow location

Specifications /

Sink size	860 W x 510 H mm
Bowl size	Workstation Bowl 790 W x 388 H x 225 D / 68 L
Construction	Moulded granite
Material	80% granite and quartz particles and 20% acrylic
Installation	Topmount
Fixings	Supplied
Reversible	No
Min cabinet size	900 mm
Tap holes	One tap hole only
Waste fittings	1 x 90 mm basket waste included
Overflow	Overflow kit included
Carton size	960 x 590 x 310 mm
Weight	22 kg
Warranty	Lifetime manufacturer's warranty (refer to Oliveri website)
Maintenance and care instructions	Clean the sink regularly with warm water, a liquid detergent and a soft cloth. Do not use abrasive powders or creams and avoid chemically aggressive detergents. Generic stains should be removed immediately with very hot water and a cleaning product. For organic stains which are especially difficult to remove, it is recommended that you fill the sink with a highly diluted organic cleaner such as bleach and let stand overnight. The next morning, rinse with warm water and a soft cloth.

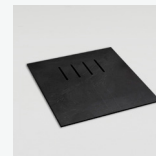
Included accessories /



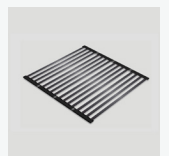
AC10
Basket Waste with
Rectangular Overflow



ACWSC1596BK
Black Workstation
Plastic Colander



ACWSB1596BK
Black Workstation
Preparation Board



ACWSRM1596BK
Black Workstation
Roller Mat