

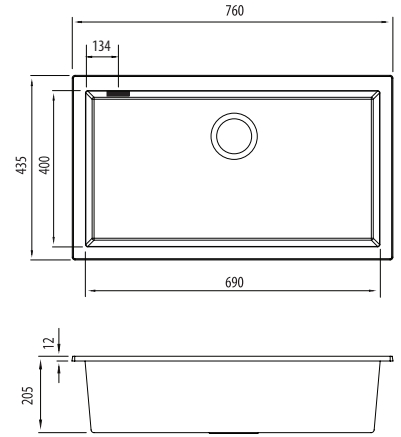
# Santorini

Italian made

All dimensions in mm

## ST-BL1590U OF

Black Mega Bowl Undermount Sink

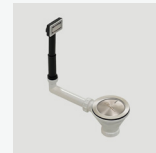


— Overflow location

### Specifications /

<b>Sink size</b>	760W x 435H mm
<b>Bowl size</b>	Mega Bowl 690W x 400H x 200D / 55L
<b>Construction</b>	Moulded granite
<b>Material</b>	80% granite and quartz particles and 20% acrylic
<b>Installation</b>	Undermount
<b>Fixings</b>	Available on request
<b>Min cabinet size</b>	800 mm
<b>Tap holes</b>	N/A
<b>Waste fittings</b>	1 x 90 mm basket waste included
<b>Overflow</b>	Overflow kit included
<b>Carton size</b>	670 x 560 x 280 mm
<b>Weight</b>	16 kg
<b>Warranty</b>	Lifetime manufacturer's warranty (refer to Oliveri website)
<b>Maintenance and care instructions</b>	Clean the sink regularly with warm water, a liquid detergent and a soft cloth. Do not use abrasive powders or creams and avoid chemically aggressive detergents. Generic stains should be removed immediately with very hot water and a cleaning product. For organic stains which are especially difficult to remove, it is recommended that you fill the sink with a highly diluted organic cleaner such as bleach and let stand overnight. The next morning, rinse with warm water and a soft cloth.

### Included accessories /



**AC10**  
Basket Waste with  
Rectangular Overflow