

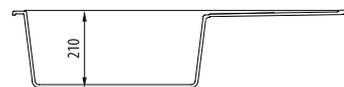
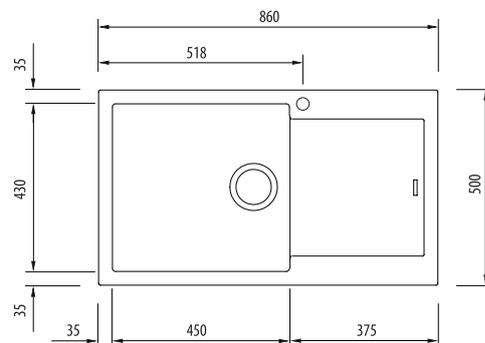
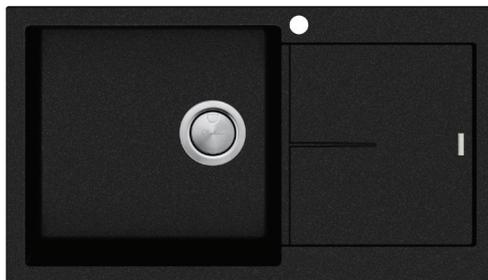
Santorini

Italian made

All dimensions in mm

ST-BL1525 LHB

Black Large Single Bowl Topmount Sink With Drainer



Specifications /

Sink size	860W x 500H mm
Bowl size	Main Bowl 450W x 430H x 210D / 40.5L
Construction	Moulded granite
Material	80% granite and quartz particles and 20% acrylic
Installation	Topmount
Fixings	Topmount clips supplied
Min cabinet size	600 mm
Tap holes	One tap hole only
Waste fittings	1 x 90 mm basket waste included
Overflow	Not available
Carton size	960 x 580 x 310 mm
Weight	13.2 kg
Warranty	Lifetime manufacturer's warranty (refer to oliveri.com.au)
Maintenance and care instructions	Clean the sink regularly with warm water, a liquid detergent and a soft cloth. Do not use abrasive powders or creams and avoid chemically aggressive detergents. Generic stains should be removed immediately with very hot water and a cleaning product. For organic stains which are especially difficult to remove, it is recommended that you fill the sink with a highly diluted organic cleaner such as bleach and let stand overnight. The next morning, rinse with warm water and a soft cloth.

Included accessories /



AC28
Basket Waste