

Paris

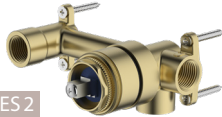
Dual Flow | 6 and 5 Star WELS Rated

Lead **FREE**

All dimensions in mm

PA102500FBN (Inwall Body: UNI-C2-BY / Trim Kit: PA102500FBN-TK)
Brushed Nickel Wall Mixer Set

Complete Inwall Body and Trim Kit

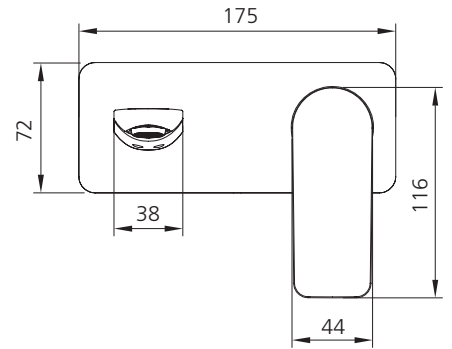
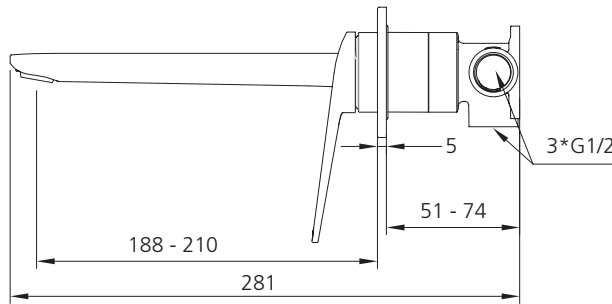


SERIES 2



Included components
Inwall body (compatible with Paris, Venice and London ranges) and interchangeable trim kit.

Dual WELS rated
Product supplied with WELS 6 Star aerator installed. WELS 5 Star aerator included for optional use.



Specifications /

WELS rating	6 Star, 4.5 L per min, 5 Star, 6.0 L per min
WELS registration number	T43980, T43979
Temperature rating (min / max)	1°C - 65°C
Pressure rating (min / max)	150 kPa - 500 kPa
Finish	Brushed nickel (PVD)
Materials	Lead free brass body and zinc handle
Cartridge size	35 mm
Cartridge type	Ceramic disc cartridge
Product weight	1.87 kg
Water supply	Mains
Warranty	15 years cartridge and body; 10 years finish; 5 years seals, fittings, aerators; 1 year labour (see Oliveri website for full details)
Maintenance and care instructions	All surfaces should be cleaned with mild liquid detergent or soap and water. Do not use cream cleaners or citrus based cleaning products, as they are abrasive. Use of unsuitable cleaning agents may damage the surface. Any damage caused in this way will not be covered by warranty.