

Paris

Dual Flow | 6 and 5 Star WELS Rated

Lead FREE

PA102500FBN-TK

Brushed Nickel Wall Mixer Set - Trim Kit Only

All dimensions in mm



Included components

Interchangable trim kit: Backplate, handle, spout, cartridge sleeve and dome cover.

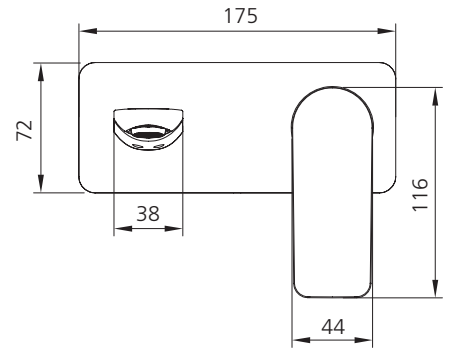
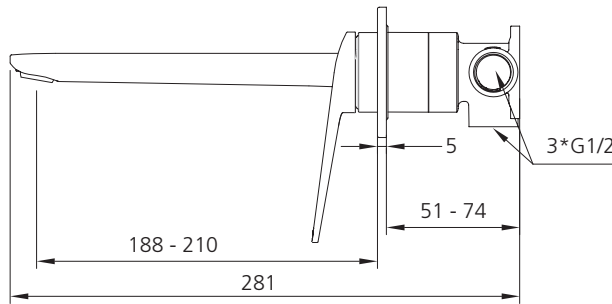
SERIES 2

Inwall body not included

Requires Wall Mixer Set Inwall Body: UNI-C2-BY (compatible with Paris, Venice and London ranges).

Dual WELS rated

Product supplied with WELS 6 Star aerator installed. WELS 5 Star aerator included for optional use.



Trim kit and inwall body assembly.

Specifications /

WELS rating	6 Star, 4.5 L per min, 5 Star, 6.0 L per min
WELS registration number	T43980, T43979
Temperature rating (min / max)	1°C - 65°C
Pressure rating (min / max)	150 kPa - 500 kPa
Finish	Brushed nickel (PVD)
Materials	Lead free brass body and zinc handle
Compatibility	For use with Wall Mixer Set Inwall Body (UNI-C2-BY)
Product weight	1.05 kg
Water supply	Mains
Warranty	15 years parts; 10 years finish; 5 years seals, fittings, aerators; 1 year labour (see Oliveri website for full details)
Maintenance and care instructions	All surfaces should be cleaned with mild liquid detergent or soap and water. Do not use cream cleaners or citrus based cleaning products, as they are abrasive. Use of unsuitable cleaning agents may damage the surface. Any damage caused in this way will not be covered by warranty.