

Paris

PA100500FBN-TK

Brushed Nickel Wall Mixer - Trim Kit Only



All dimensions in mm

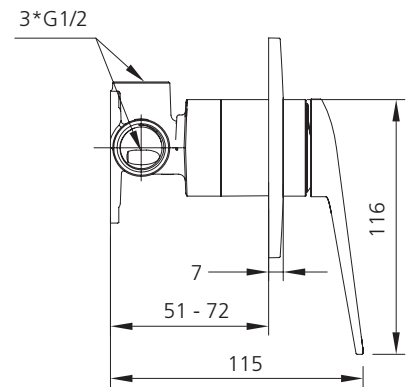
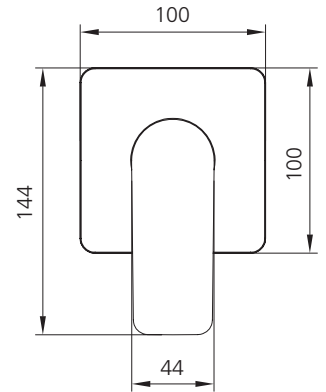
Included components

Interchangeable trim kit: Backplate, handle, cartridge sleeve and dome cover.

SERIES 2

Inwall body not included

Requires Wall Mixer Inwall Body: UNI-A2-BY (compatible with Paris, Venice and London ranges).



Trim kit and inwall body assembly.

Specifications /

Finish	Brushed nickel (PVD)
Materials	Lead free brass body and zinc handle
Compatibility	For use with Wall Mixer Inwall Body (UNI-A2-BY)
Product weight	0.49 kg
Warranty	15 years parts; 10 years finish; 5 years seals, fittings; 1 year labour (see Oliveri website for full details)
Maintenance and care instructions	All surfaces should be cleaned with mild liquid detergent or soap and water. Do not use cream cleaners or citrus based cleaning products, as they are abrasive. Use of unsuitable cleaning agents may damage the surface. Any damage caused in this way will not be covered by warranty.