

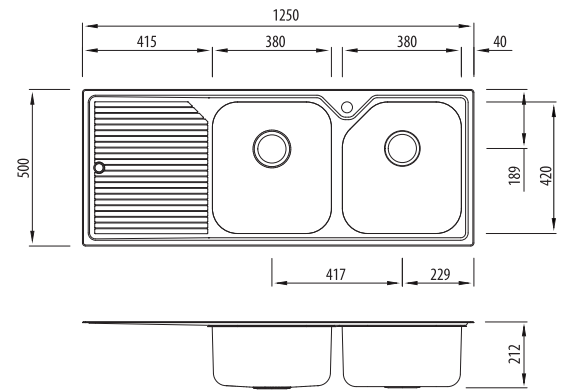
Nu-Petite

NP672

Double Bowl Topmount Sink With Drainer



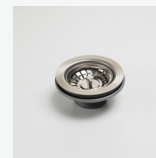
All dimensions in mm



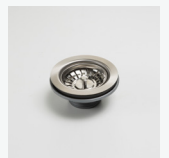
Specifications /

| | |
|--|--|
| Sink size | 1250W x 500H mm |
| Bowl size | Main Bowl 380W x 420H x 200D / 30L 5 Side Bowl 380W x 420H x 200D / 28L |
| Construction | 2 piece, bowls and drainer seam welded |
| Material | 304 grade, 18/10 polished stainless steel (0.8 mm thick) |
| Installation | Topmount |
| Fixings | Adjustable clips and sealing foam supplied |
| Min cabinet size | 900 mm |
| Tap holes | 1 tap hole only |
| Waste fittings | 2 x 90 mm basket wastes included |
| Overflow | Not available |
| Carton size | 1315 x 565 x 240 mm |
| Weight | 13.5 kg |
| Warranty | Lifetime manufacturer's warranty (refer to oliveri.com.au) |
| Maintenance and care instructions | All surfaces should be cleaned with mild liquid detergent or soap and water. To maintain the shine on your Oliveri stainless steel sink, we recommended the use of any of the easy to obtain, non-abrasive stainless steel cleaners or metal polishes. |

Included accessories /



AC14
Basket Waste



AC14
Basket Waste



AC65
Bamboo Board



AC6220
Colander

