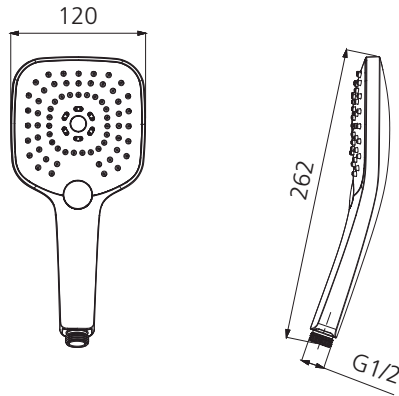


# Monaco

**MO168013HCR**

Chrome Hand Shower Head

All dimensions in mm



## Specifications /

<b>WELS rating</b>	3 Stars, 9 L per minute
<b>WELS registration number</b>	S13599
<b>Temperature rating (min / max)</b>	1°C - 65°C
<b>Pressure rating (min / max)</b>	150 kPa - 500 kPa
<b>Finish</b>	Chrome (electroplating) with white shower face
<b>Shower head functions</b>	Three spray functions
<b>Materials</b>	ABS Plastic
<b>Water supply</b>	Mains
<b>Connections</b>	G 1/2 BSP
<b>Product weight</b>	0.27 kg
<b>Parts List</b>	Hand shower x 1
<b>Warranty</b>	5 years replacement parts and finish; 1 year labour (see Oliveri website for full details)
<b>Maintenance and care instructions</b>	All surfaces should be cleaned with mild liquid detergent or soap and water. Do not use cream cleaners or citrus based cleaning products, as they are abrasive. Use of unsuitable cleaning agents may damage the surface. Any damage caused in this way will not be covered by warranty.