

Oliveri®

THIS MIXER TAP MUST BE INSTALLED BY A LICENSED PLUMBER IN ACCORDANCE WITH LOCAL REGULATIONS

This Oliveri tap is manufactured to standard AS/NZS 3718.

MAX OPERATING PRESSURE:.....5 bar (500kPa)  
 RECOMMENDED OPERATION PRESSURE:.....1.5-5 bar (150-500kPa)  
 MAX HOT WATER TEMPERATURE:.....65°C  
 RECOMMENDED HOT WATER TEMPERATURE:.....50°C

Where water pressure exceeds 500kPa, a pressure reducing device is required to be installed. Note that water pressure overnight can reach 150% of the daytime pressure.

Note: Installation of aerators containing flow regulators.

Upon re-installation, the aerator should be tightened with an aerator key to prevent removal by hand.

Note: Ceramic Cartridges - Warranty claims will not be honoured where the ceramic cartridge has malfunctioned due to the presence in the water supply of;

- Copper tube pieces, sand, dirt or stones
- Thread tape
- Other objects not normally present in potable water supplies.
- Do not remove the cartridge from the body as it has been pressure tested and tightened to a specific torque.

Before attempting any work involving mains water supply lines, ensure the water supply is shut off.

Stop valves (preferably with filters) must be used when installing your Oliveri mixer to allow isolation. (not supplied with mixer). Failure to do so where required will void warranty.

This mixer tap is already pre-assembled and tested. Do not disassemble, as this may void the warranty.

This mixer tap must be installed in accordance with these instructions.

Oliveri®

PA070520CR/PA070526MB/PA070520BN



**Paris Tower Basin Mixer**

**CARE & MAINTENANCE**

Clean with a soft cloth and warm soapy water as necessary - rinse and dry after cleaning. Under No Circumstances should abrasive or acid based cleaning products be used

**WARRANTY**

This mixer tap is warranted to be free from manufacturing defects for a period of 15 Years: 15 years for cartridge 10 years for body, 5 years for seals, tails, fittings and aerators and 1 year for finish and labour, when used in a domestic situation.

**This warranty does not cover against normal wear and will be voided if the product is misused or not installed in accordance with these instructions.** Note: Fitting spout-attached devices, including water filters, to this mixer will void warranty.

In the event this product is rendered obsolete and a replacement product is required, Oliveri Solutions Pty Ltd reserves the right to supply a product of equal substitution at their discretion.

Our goods come with guarantees that cannot be excluded under the Australian Consumer Law. You are entitled to a replacement or refund for a major failure and for compensation for any other reasonably foreseeable loss or damage. You are also entitled to have the goods repaired or replaced if the goods fail to be of acceptable quality and the failure does not amount to a major failure.

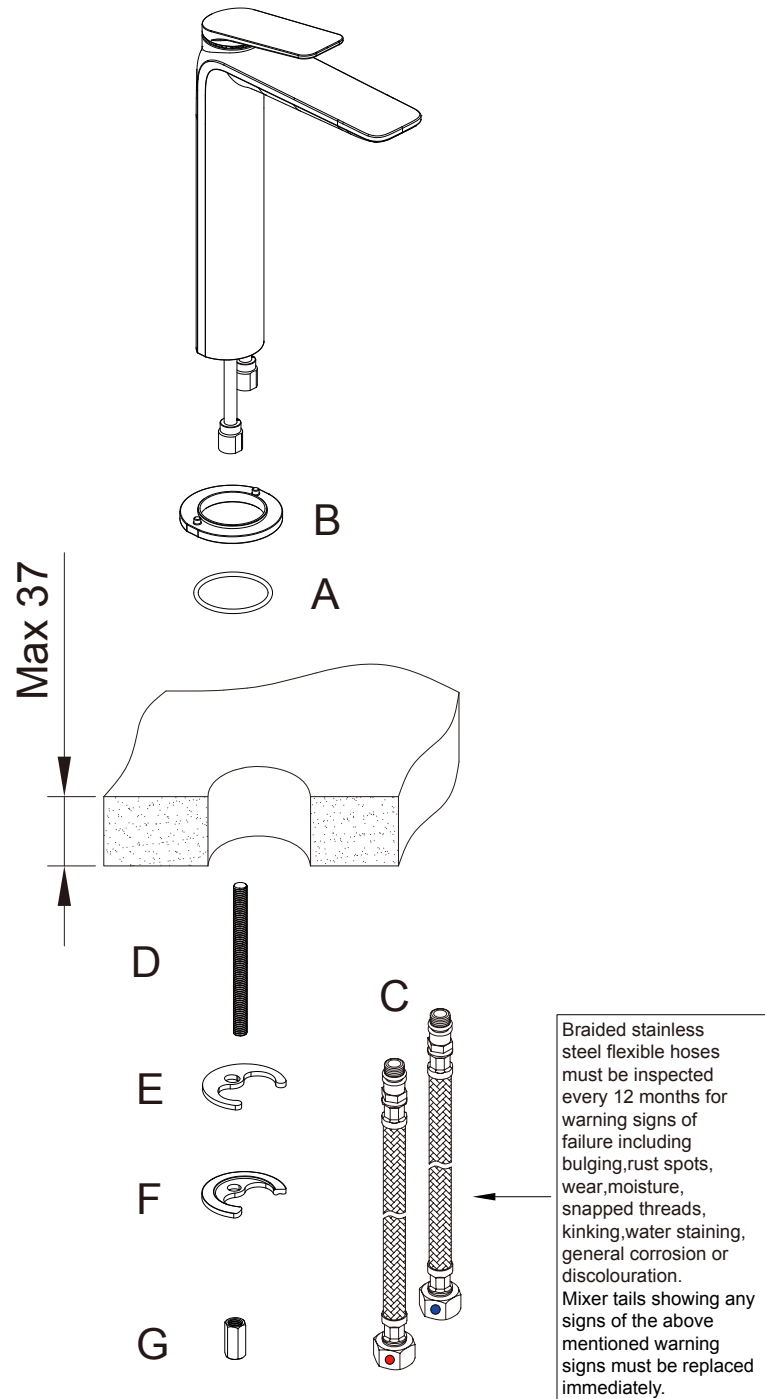
**SERVICE**

**If the problem represents a danger, or damage to property may occur, immediately shut off the water supply. If the mixer tap requires servicing, please contact your plumber (preferably the one who installed it). Most problems occur due to contaminated supply lines or water pressure exceeding 500KPa. Unscrew and clean the spout aerator periodically - especially if you notice a drop in water pressure.**

If the Plumber is satisfied that the problem is not due to poor installation, contact T2 Services Pty Ltd for assistance on:

Ph: (07) 55960738  
 Fax: (07) 55273353  
 Email: oliveri@t2services.com.au  
 https://oliveri.com.au/service-and-warranty

**If a warranty service agent finds that the mixer tap is not at fault, T2 Services Pty Ltd reserves the right to pass on any callout fee to the householder.**



Oliveri®

**Installation Instructions**

**General Note:** This product is to be installed by a licensed plumber, installation must comply with AS/NZS 3500 and local plumbing codes

**Pressures & Temperatures**

Maximum Hydrostatic Pressure – 500 kpa. (As per AS/NZS3500)

**Note: AS/NZS 3500.1-2003 (Clause 3.3.4) states that “Provision shall be made to ensure that the maximum static pressure at any outlet, other than a fire service outlet, within a building does not exceed 500 kPa.**

**Note: Pressures above 500kPa can cause damage from water hammer, reduced life of appliances, taps and fittings, and cause excessive noise in the system.**

Minimum Hydrostatic Pressure – 100 kpa

The Maximum operating temperature for the Mixer Tap is 65 °C.

Please ensure that the lines are flushed prior to installation as contaminates in the water can damage the Ceramic Cartridge, flow regulator and also affect the performance of the Mixer.

1. Remove product from packaging and check for damages, if the product is damaged do not install and return to store of purchase.
2. The WELS compliant aerator has been pre-assembled into the mixer outlet. To comply with WELS the flow regulator must remain in place.
3. Ensure Product is complete as per exploded drawing.
4. A single 35mm Hole is required in the mounting surface.
5. The maximum mounting surface thickness cannot exceed 37mm.
6. Ensuring bench sealing washer (A) is in place on base of Mixer Dress ring (B) firmly screw the Mixer tails (C) into base of the Mixer being careful to avoid damage to the o’ring seals, the Mixer tails are colour coded, Red for hot and Blue for cold, the mixer base inlet holes are stamped with ‘H’ for Hot and ‘C’ for cold.
7. Screw threaded rod (D) into base of Mixer.
8. Feed the Mixer tails (C) through the Mounting surface, each end alternatively and position the mixer on the mounting surface ensuring the sealing washer (A) is positioned correctly in Mixer dress ring (B).
9. Slide Rubber Horse Shoe (E) onto threaded rod (D) followed by Metal Horse shoe Plate (F).  
**N.B The Mixer Tails should be positioned towards the user and the Fixing bolt to the back.**
10. Using Fixing Nut (G) tighten Mixer to mounting Surface.
11. Connect Mixer tails to Mains Water supply line.
12. Ensure the Mixer tails are not Kinked, Bent, stretched or twisted when assembling to the Mains Water Supply. The Mixer Tail connection between the mixer and the Water supply must have a natural curve.
13. Ensure Mixer tails are not exposed to Abrasions, corrosive agents or alike.
14. It is recommended that In-Line filters be installed to ensure a cleaner flow of water to the mixer.

**To the consumer**

1. The Mixer is to only be cleaned with warm soapy water and a soft cloth.
2. **Under No Circumstances** should any abrasive, cream or acid based cleaning agents be used as these types of cleaners will damage the finish, Cartridge, seals and aerators.