



THIS MIXER TAP MUST BE INSTALLED BY A LICENSED PLUMBER IN ACCORDANCE WITH LOCAL REGULATIONS

This Oliveri tap is manufactured to standard AS/NZS 3718.

MAX OPERATING PRESSURE:.....5 bar (500kPa)
 RECOMMENDED OPERATION PRESSURE:.....1.5-5 bar (150-500kPa)
 MAX HOT WATER TEMPERATURE:.....65°C
 RECOMMENDED HOT WATER TEMPERATURE:.....50°C

Where water pressure exceeds 500kPa, a pressure reducing device is required to be installed. Note that water pressure overnight can reach 150% of the daytime pressure.

Note: Installation of aerators containing flow regulators.
 Upon re-installation, the aerator should be tightened with an aerator key to prevent removal by hand.

Note: Ceramic Cartridges - Warranty claims will not be honoured where the ceramic cartridge has malfunctioned due to the presence in the water supply of;

- Copper tube pieces, sand, dirt or stones
- Thread tape
- Other objects not normally present in potable water supplies.
- Do not remove the cartridge from the body as it has been pressure tested and tightened to a specific torque.

Before attempting any work involving mains water supply lines, ensure the water supply is shut off.

This mixer tap must be installed in accordance with these instructions.

Oliveri Solutions Pty Ltd ABN 12 007 551 886
 51 Naweena Rd, Regency Park SA 5010
 P 61 8 8348 6444 E sales@oliveri.com.au oliveri.com.au

Issue Date 29/03/2022 Revision Number: V3.0



VE108500CR/VE108516MB/VE108504BN
 /VE108503CG/VE108505GM



Venice Basin Mixer Set

CARE & MAINTENANCE

Clean with a soft cloth and warm soapy water as necessary - rinse and dry after cleaning. Under No Circumstances should abrasive or acid based cleaning products be used.

WARRANTY

PRODUCT	COMPONENT	DOMESTIC USE	COMMERCIAL USE
Bathroom Tapware Excludes Sensor Taps	Cartridge	15 years replacement parts, 1 year labour	7 years replacement parts, 1 year labour
	Body	15 years replacement parts, 1 year labour	5 years replacement parts, 1 year labour
	Finish (chrome) VE108500CR	15 years replacement parts, 1 year labour	1 year replacement parts & labour
	Finish (PVD) VE108504BN	10 years replacement parts, 1 year labour	1 year replacement parts & labour
	Finish (other) VE108516MB VE108503CG VE108505GM	5 years replacement parts, 1 year labour	1 year replacement parts & labour
	Seals, tails, fittings & aerators	5 years replacement parts, 1 year labour	1 year replacement parts & labour

Subject to the terms contained in the full warranty information available at <https://oliveri.com.au/service-and-warranty>, where a genuine manufacturing defect arises within the warranty period Oliveri will, at its election, repair the defect or replace the product.

This warranty does not cover against normal wear and will be voided if the product is misused or not installed in accordance with these instructions. Note: Fitting spout-attached devices, including water filters, to this mixer will void warranty.

Our goods come with guarantees that cannot be excluded under the Australian Consumer Law. You are entitled to a replacement or refund for a major failure and for compensation for any other reasonably foreseeable loss or damage. You are also entitled to have the goods repaired or replaced if the goods fail to be of acceptable quality and the failure does not amount to a major failure.

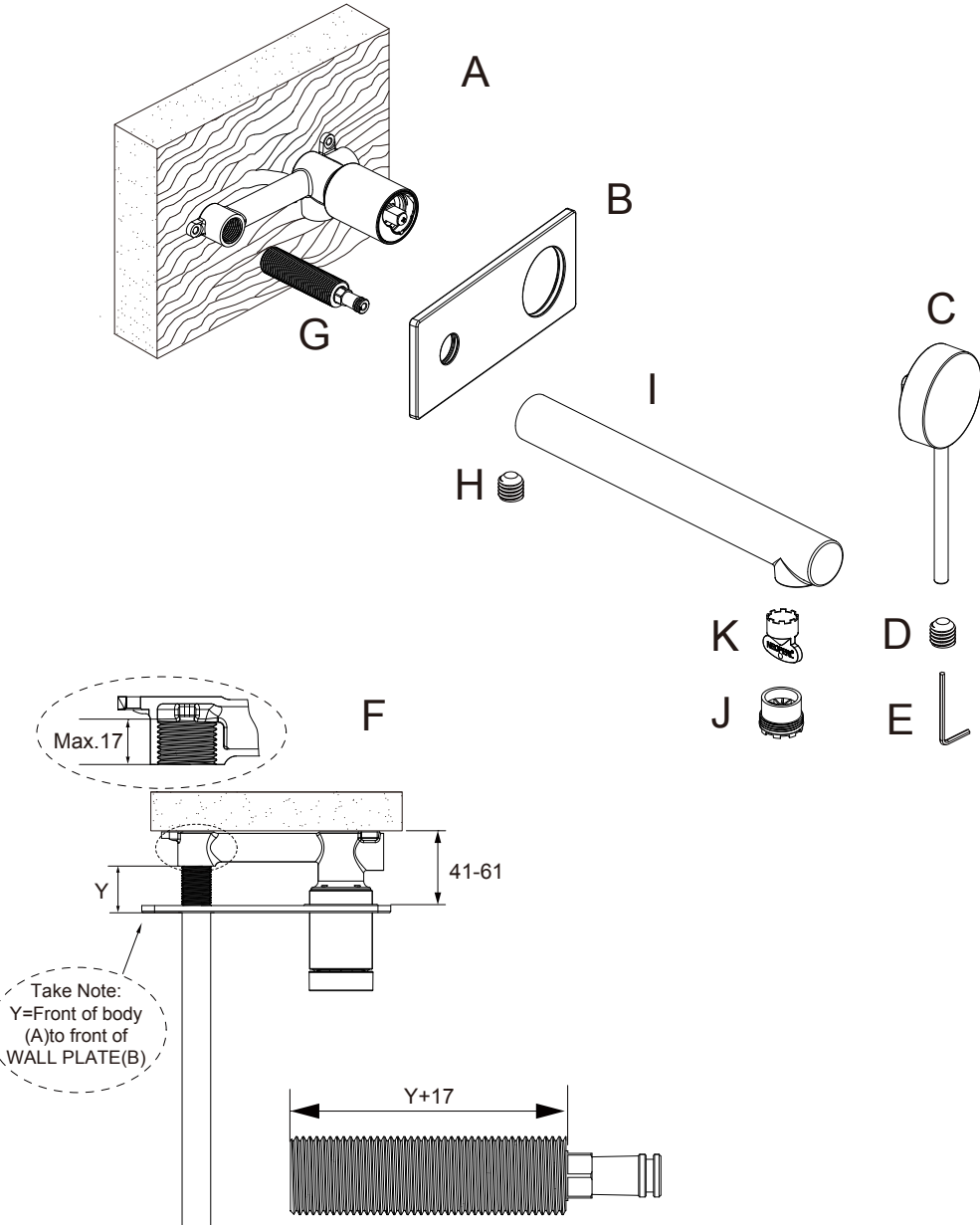
SERVICE

If the problem represents a danger, or damage to property may occur, immediately shut off the water supply. If the mixer tap requires servicing, please contact your plumber (preferably the one who installed it). Most problems occur due to contaminated supply lines or water pressure exceeding 500KPa. Unscrew and clean the spout aerator periodically - especially if you notice a drop in water pressure.

If the Plumber / Installer is satisfied that the problem is not due to poor installation, contact Oliveri's nominated Warranty Service Agent for assistance on:

Ph: (08) 8348 6444 (choose the after sales service & warranty option)
 Email: warranty@oliveri.com.au
 For full warranty information visit: <https://oliveri.com.au/service-and-warranty>

If a warranty service call finds that the spout does not have a genuine manufacturing fault, our Warranty Service Agent reserves the right to pass on any call-out fee to the household.



Installation Instructions

General Note: This product is to be installed by a licensed plumber, installation must comply with AS/NZS 3500 and local plumbing codes

Pressures & Temperatures

Maximum Hydrostatic Pressure – 500 kpa. (As per AS/NZS3500)

Note: AS/NZS 3500.1-2003 (Clause 3.3.4) states that “Provision shall be made to ensure that the maximum static pressure at any outlet, other than a fire service outlet, within a building does not exceed 500 kPa.

Note: Pressures above 500kPa can cause damage from water hammer, reduced life of appliances, taps and fittings, and cause excessive noise in the system.

Minimum Hydrostatic Pressure – 100 kpa

The Maximum operating temperature for the Mixer Tap is 65°C.

Please ensure that the lines are flushed prior to installation as contaminants in the water can damage the Ceramic Cartridge, flow regulator and also affect the performance of the Mixer.

1. Remove product from packaging and check for damages, if the product is damaged do not install and return to store of purchase.
 2. Ensure Product is complete as per exploded drawing.
 3. All Wall Mixers are supplied with protection body covers. Ensure the body cover is on the mixer body.
 4. Screw Mixer body (A) to stud wall or brick cavity taking into account set out minimum and maximum from back of mixer to finished wall (F).
- Note: The Wall Mixer body is a three port body with Hot and Cold indication. The right port Horizontal is for cold inlet the downward port (vertical) is for hot inlet. DO NOT turn mixer upside down as the mixer will not function correctly.**
5. Installers, refer to (F) to confirm installation dimensions and cut the connector (G) threaded end to meet the installation dimensions.
 6. When the product is installed over a bath the flow regulated aerator is to be removed by Aerator key (K) then fitted with open flow aerator (J) .
 7. Use Thread seal tape to wrap connector (G) and screw into Body (A) with Allen Key.
 8. Connect Water Supply to Mixer Body (A) and check for leaks.
 9. Once the Wall sheeting and tiles have been fitted seal around the mixer body with plumber's grade silicon or sealing compound.
 10. Fit wall plate. The wall plate (B) is fitted with concealed o'rings, to assist with assembly over mixer body use soapy water or plumber's grade grease on concealed o'rings.
 11. Fit Spout. Apply plumber grade grease on connector o'rings (G). Place the Spout (I) onto connector (G) and push back to Wall plate (B). Align spout and fix in place using Grub screw (H).
 12. Fit handle. Slide handle onto Cartridge post. Using grub screw (D) and Allen Key (E) fit handle to mixer.

To the consumer

1. The Mixer is to only be cleaned with warm soapy water
2. **Under No Circumstances** should any abrasive, cream or acid based cleaning agents be used as these types of cleaners will damage the finish, Cartridge, seals and aerators.