

Holdfast 90 Degree Grab Rails

HF817-LH / HF817-RH

Please install the Grab Rail according to this guide.

IMPORTANT

Prior to installation, test fit the Grab Rail to ensure it does not obstruct doors, surfaces, fixtures or switches. Ensure the wall fixing screws are anchored into masonry or timber. Do not install them directly into plasterboard. After installation, test the Grab Rail to confirm stability and correct operation.

Do not install outdoors, near chlorinated pools or in salt water environments.

WARRANTY This Grab Rail is warranted to be free from manufacturing defects for a period of 15 years replacement parts and 1 year labour.

Subject to the terms contained in the full warranty information available at <https://oliveri.com.au/service-and-warranty>, where a genuine manufacturing defect arises within the warranty period Oliveri will, at its election, repair the defect or replace the product.

Our goods come with guarantees that cannot be excluded under the Australian Consumer Law. You are entitled to a replacement or refund for a major failure and for compensation for any other reasonably foreseeable loss or damage. You are also entitled to have the goods repaired or replaced if the goods fail to be of acceptable quality and the failure does not amount to a major failure.

SERVICE

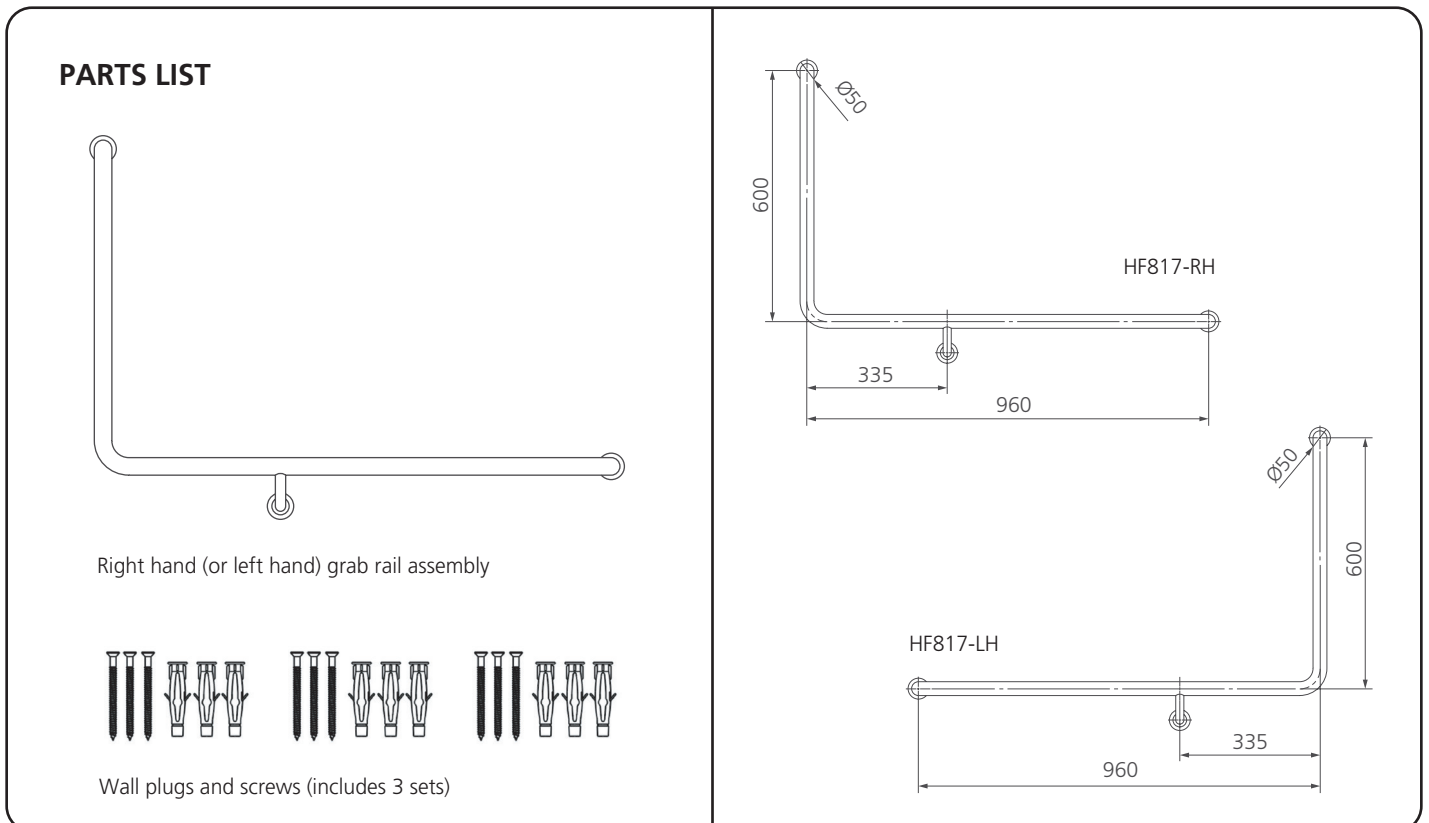
If the product requires servicing, please contact your installer. If the installer is satisfied that the problem is not due to poor installation, contact Oliveri's nominated Warranty Service Agent for assistance on:

Ph: 08 8348 6444 (choose the after sales service and warranty option)

Email: warranty@oliveri.com.au

For full warranty information visit: <https://oliveri.com.au/service-and-warranty>

If a warranty service call finds that the product does not have a genuine manufacturing fault, our Warranty Service Agent reserves the right to pass on any call-out fee to the householder.

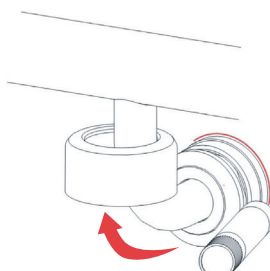


IMPORTANT: Never use abrasive or harsh chemical cleaners. Wipe with warm soapy water to maintain surface finish.

Installation Steps

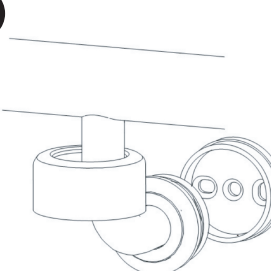
Preparation Tools: Drill driver, 8 mm drill bit, hammer, pencil.

1



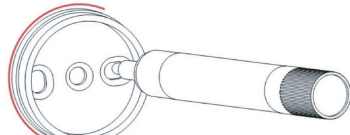
The middle fixing plate is to be installed first. Unscrew end cover from the base plate and carefully move away. Position grab rail on the wall in the required location. Draw an outline around the middle base plate.

2



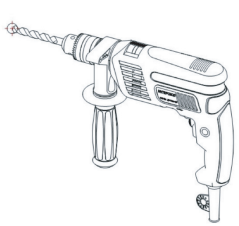
Unscrew the fixing nut from the base plate and set aside the grab rail.

3



Put the base plate back in position according to the wall outline. Mark each fixing screw hole location.

4



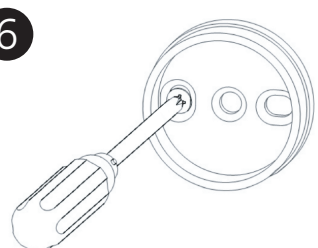
Drill 8 mm Ø holes to a depth of 70 mm at each marked screw location point. **NOTE** Use an appropriate drill bit for the wall material.

5



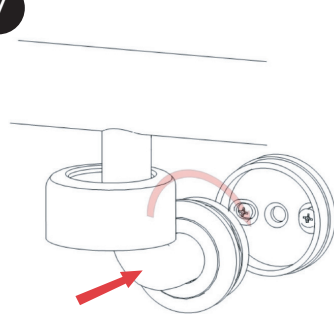
Hammer a wall plug into each base plate fixing hole that has been drilled.

6



Tighten the screws, making sure the base plate is firmly secure and cannot move.

7



Locate grab rail onto the base plate and screw down the fixing nut. **NOTE** Check the rail is level prior to fully tightening. Do not slide the end cover in to place.


8

Once the middle fixing plate is secure, unscrew the end covers from the two side base plates. Draw around these base plates to create an outline.

9

Loosen the middle fixing nut to allow the two side base plates to be secured as per steps 2 - 6.

10



Retighten middle fixing as per step 7. Secure both end fixings as per step 7. **NOTE** Tighten nuts evenly and incrementally, alternating between base plates until fully secure. Carefully slide end covers back to each base plate and screw down securely.

IMPORTANT: Ensure the mounting wall is strong enough to support the grab rail under load. Test after installation.