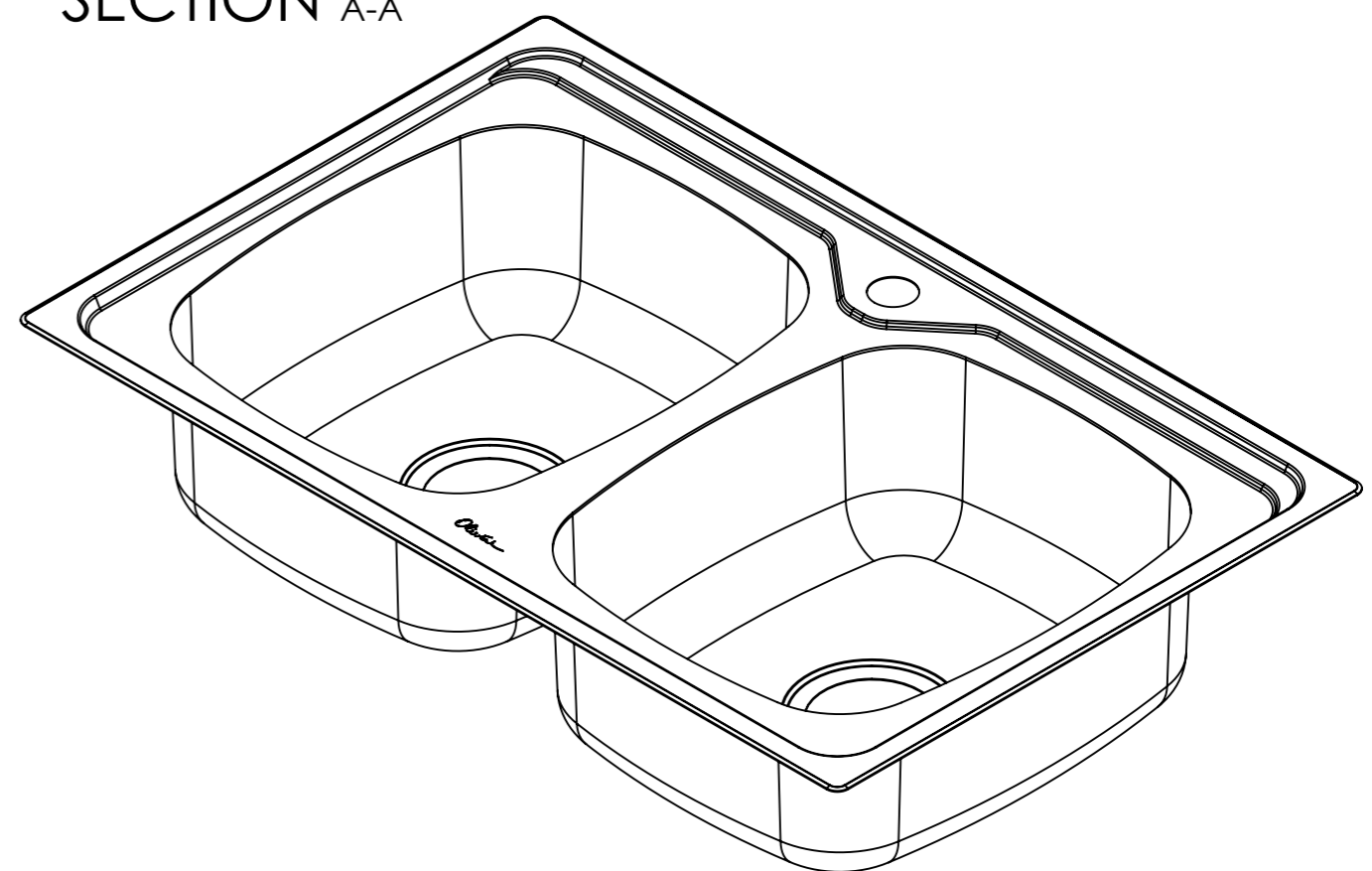
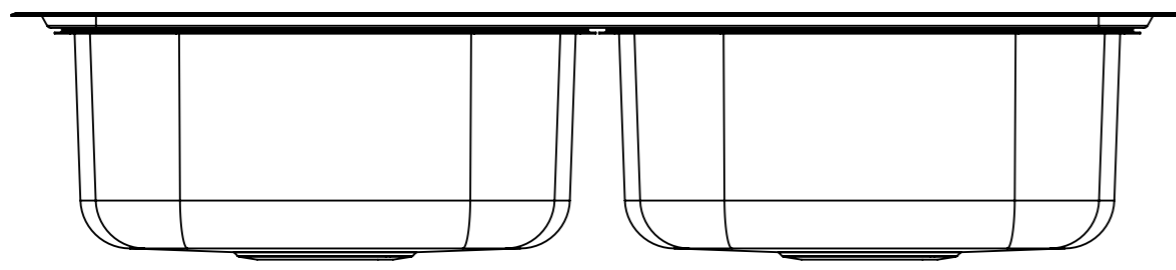


SECTION A-A



MATERIAL: 304 S.S.		TASMAN SINKWARE PTY. LTD.		DESCRIPTION: TM / UM LL1 DBL BOWL SINK	
SCALE: 1:5		51 NAWEENA RD REGENCY PARK SA 5010 Telephone (08) 8348 6444 Facsimile (08) 8348 6495		DRAWING No. NEW EE64	
DRAWN BY: J.A				ITEM No.	ISSUE
DATE DRAWN: 19-09-16				.	A
APPROVED BY:		COMMERCIAL IN CONFIDENCE		SHEET No.	SHEET SIZE.
DRAWING STD. AS 1100				1 OF 1	A3
REV No	DATE	REVISION DESCRIPTION	APVD	 DO NOT SCALE UNITS IN MILLIMETRES UNLESS OTHERWISE STATED	