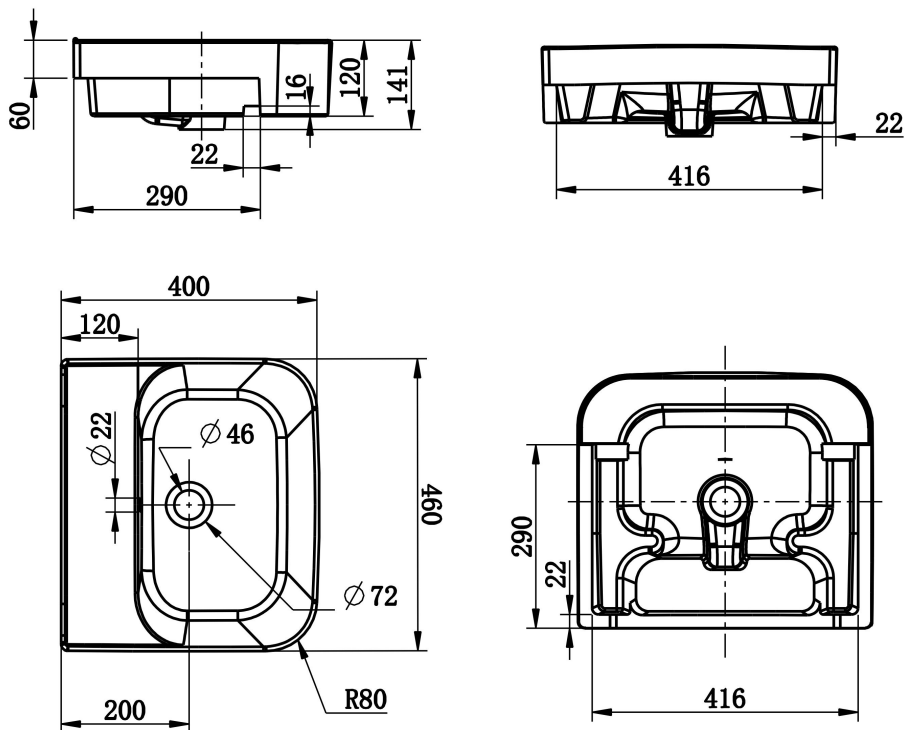


This Oliveri basin is manufactured to standard AS/NZS 1172.4

DU7130E-N



UNIT:MM

Oliveri Solutions Pty Ltd ABN 12 007 551 886
 51 Naweena Rd, Regency Park SA 5010 P 08 8348 6444 E sales@oliveri.com.au

Semi Recessed Basin with No Tap Hole DU7130E-N

CARE & MAINTENANCE

Avoid using abrasive or acid-based cleaning products.

WARRANTY

DOMESTIC USE

This basin is warranted to be free from manufacturing defects for a period of: 20 years replacement parts and 1 year labour.

COMMERCIAL USE

This basin is warranted to be free from manufacturing defects for a period of: 7 years replacement parts and 1 year labour.

Subject to the terms contained in the full warranty information available at <https://oliveri.com.au/service-and-warranty>, where a genuine manufacturing defect arises within the warranty period Oliveri will, at its election, repair the defect or replace the product.

This warranty does not cover against normal wear and will be voided if the product is misused or not installed in accordance with these instructions.

Our goods come with guarantees that cannot be excluded under the Australian Consumer Law. You are entitled to a replacement or refund for a major failure and for compensation for any other reasonably foreseeable loss or damage. You are also entitled to have the goods repaired or replaced if the goods fail to be of acceptable quality and the failure does not amount to a major failure.

SERVICE

If the product requires servicing, please contact your installer (preferably the one who installed it). If the plumber / installer is satisfied that the problem is not due to poor installation, contact Oliveri's nominated Warranty Service Agent for assistance on:

Ph: 08 8348 6444 (choose the after sales service and warranty option)

Email: warranty@oliveri.com.au

For full warranty information visit: <https://oliveri.com.au/service-and-warranty>

If a warranty service call finds that the product does not have a genuine manufacturing fault, our Warranty Service Agent reserves the right to pass on any call-out fee to the householder.



THIS BASIN MUST BE INSTALLED IN ACCORDANCE WITH AS/NZ 3500.2 AND LOCAL REGULATIONS. THIS BASIN MUST BE INSTALLED BY A LICENSED PLUMBER.

Before you begin

Check the product for damage, if the product is damaged return to the store of purchase. Check the product is complete with all components required to install. This product is to only be installed by a licensed plumber, and must be installed in accordance with these instructions, failing to do so will void warranty.

Installation instructions

1. This basin is supplied with a cut out template, due to manufacturing variations it is recommended you cross check the cut-out template dimensions against the physical basin dimensions and adjust cut out size as, or if required.
2. Lay the template in the desired position on the bench and fold marked area down the front of the bench top and tape down to secure the template into position.
3. Prior to cutting the hole, check to ensure the cut-out does not interfere with drawers or internal walls of the vanity cabinet.
N.B As this basin is a semi-Recessed basin and the front of the Vanity cabinet is to be cut away ensure doing so will not diminish the strength of the vanity cabinet.
4. Cut the hole into the vanity cabinet top and front face.
5. Fit the basin into the cut-out hole to ensure the basin fits correctly and no further adjustment of the cut-out hole is required.
6. Prior to fitting the basin it is recommended the tapware and waste are assembled to the basin for ease of assembly.
7. Prior to fitting the basin to the bench top run a bead of plumbers grade silicone seal around the cut-out hole.
8. Insert the basin into the bench top cut-out and align so the basin is square to the vanity top.
9. Apply a bead of plumbers grade silicone around the outer edge of the basin to prevent water going under the basin. Allow the silicone to dry.
10. Connect Basin to drainage system as per Australian standards and local.