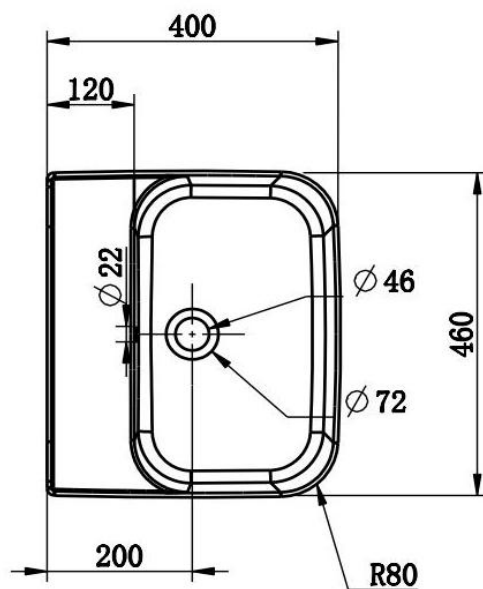
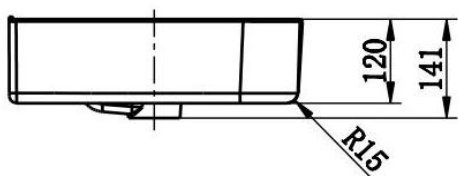


This Oliveri basin is manufactured to standard AS/NZS 1172.4

DU7130C-N



UNIT:MM

Oliveri Solutions Pty Ltd ABN 12 007 551 886
 51 Naweena Rd, Regency Park SA 5010 P 08 8348 6444 E sales@oliveri.com.au

Counter Top Basin with No Tap Hole DU7130C-N

CARE & MAINTENANCE

Avoid using abrasive or acid-based cleaning products.

WARRANTY

DOMESTIC USE

This basin is warranted to be free from manufacturing defects for a period of: 20 years replacement parts and 1 year labour.

COMMERCIAL USE

This basin is warranted to be free from manufacturing defects for a period of: 7 years replacement parts and 1 year labour.

Subject to the terms contained in the full warranty information available at <https://oliveri.com.au/service-and-warranty>, where a genuine manufacturing defect arises within the warranty period Oliveri will, at its election, repair the defect or replace the product.

This warranty does not cover against normal wear and will be voided if the product is misused or not installed in accordance with these instructions.

Our goods come with guarantees that cannot be excluded under the Australian Consumer Law. You are entitled to a replacement or refund for a major failure and for compensation for any other reasonably foreseeable loss or damage. You are also entitled to have the goods repaired or replaced if the goods fail to be of acceptable quality and the failure does not amount to a major failure.

SERVICE

If the product requires servicing, please contact your installer (preferably the one who installed it). If the plumber / installer is satisfied that the problem is not due to poor installation, contact Oliveri's nominated Warranty Service Agent for assistance on:

Ph: 08 8348 6444 (choose the after sales service and warranty option)

Email: warranty@oliveri.com.au

For full warranty information visit: <https://oliveri.com.au/service-and-warranty>

If a warranty service call finds that the product does not have a genuine manufacturing fault, our Warranty Service Agent reserves the right to pass on any call-out fee to the householder.



THIS BASIN MUST BE INSTALLED IN ACCORDANCE WITH AS/NZ 3500.2 AND LOCAL REGULATIONS. THIS BASIN MUST BE INSTALLED BY A LICENSED PLUMBER.

Before you begin

Check the product for damage, if the product is damaged return to the store of purchase. Check the product is complete with all components required to install. This product is to only be installed by a licensed plumber, and must be installed in accordance with these instructions, failing to do so will void warranty.

Installation instructions

1. Determine where on the bench top the basin is to be installed.
2. Place the basin in position and check to ensure the basin waste outlet position does not interfere with drawers, internal walls or waste connection pipe work.
3. Mark the waste hole position on the bench top, using a suitable cutting devise based on bench top material, cut a hole in the bench top large enough (recommended hole size: LxW:400x360mm) to accommodate the waste being used.
4. Fit waste to basin as per waste installation instructions.
5. Run a bead of plumbers grade silicone around the underside edge of the basin.
6. Fit basin to bench top, allow silicone to set before proceeding with waste pipe installation.