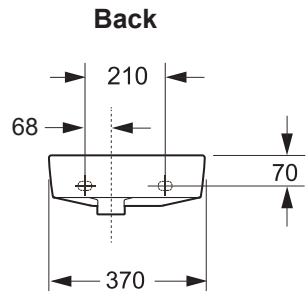
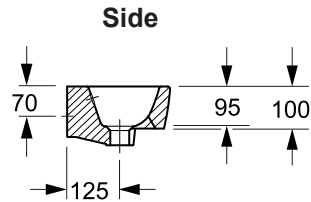
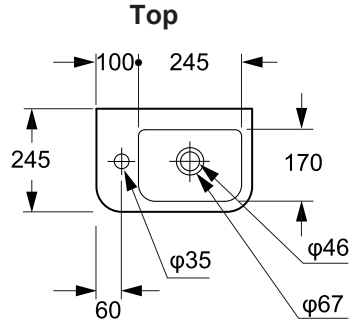
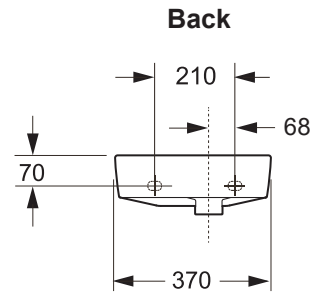
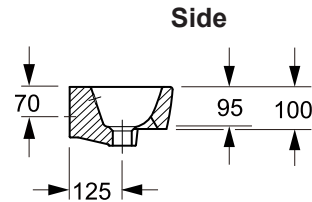
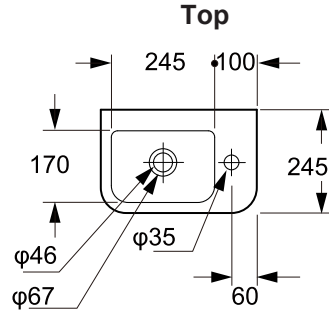


This Oliveri basin is manufactured to standard AS/NZS 1172.4

DU100-LH
Set Out Drawing



DU100-RH
Set Out Drawing



UNIT:MM

Compact Wall Hung Basin DU100-LH / DU100-RH

CARE & MAINTENANCE

Avoid using abrasive or acid-based cleaning products.

WARRANTY

DOMESTIC USE

This basin is warranted to be free from manufacturing defects for a period of: 20 years replacement parts and 1 year labour.

COMMERCIAL USE

This basin is warranted to be free from manufacturing defects for a period of: 7 years replacement parts and 1 year labour.

Subject to the terms contained in the full warranty information available at <https://oliveri.com.au/service-and-warranty>, where a genuine manufacturing defect arises within the warranty period Oliveri will, at its election, repair the defect or replace the product.

This warranty does not cover against normal wear and will be voided if the product is misused or not installed in accordance with these instructions.

Our goods come with guarantees that cannot be excluded under the Australian Consumer Law. You are entitled to a replacement or refund for a major failure and for compensation for any other reasonably foreseeable loss or damage. You are also entitled to have the goods repaired or replaced if the goods fail to be of acceptable quality and the failure does not amount to a major failure.

SERVICE

If the product requires servicing, please contact your installer (preferably the one who installed it). If the plumber / installer is satisfied that the problem is not due to poor installation, contact Oliveri's nominated Warranty Service Agent for assistance on:

Ph: 08 8348 6444 (choose the after sales service and warranty option)

Email: warranty@oliveri.com.au

For full warranty information visit: <https://oliveri.com.au/service-and-warranty>

If a warranty service call finds that the product does not have a genuine manufacturing fault, our Warranty Service Agent reserves the right to pass on any call-out fee to the householder.



THIS BASIN MUST BE INSTALLED IN ACCORDANCE WITH AS/NZ 3500.2 AND LOCAL REGULATIONS. THIS BASIN MUST BE INSTALLED BY A LICENSED PLUMBER.

Before you begin

Check the product for damage, if the product is damaged return to the store of purchase. Check the product is complete with all components required to install. This product is to only be installed by a licensed plumber, and must be installed in accordance with these instructions, failing to do so will void warranty.

Installation instructions

1. Determine where on the wall the basin is to be installed and ensure the wall area is structurally supported.
2. Mark wall fixing kit anchoring points approx. 210mm centre-to-centre and approx. 70mm below desired finished basin height.
3. Drill holes for wall fixing kit and screw bolts into a reinforced section of wall. **NB. The supplied dimensional drawings are provided as a reference only.**
4. Place the basin in position and check to ensure the basin outlet does not interfere with fixtures, walls or waste connection pipe work.
5. Fit waste to basin as per waste installation instructions.
6. Place basin onto the wall fixing bolts, insert plastic guides into basin holes, fit rubber washer, metal washer and then tighten the nuts using an appropriately sized open-end spanner or tube spanner.
7. Check basin for leaks and confirm the plug holds water. NB. A hair catcher plug and waste has an external sleeve over the waste body and is designed to reduce the risk of uncontrolled discharge. Accordingly, it is recommended to seal between the outer waste surround and the basin waste outlet using a neutral cure plumbing grade silicone sealant.
8. Run a bead of neutral cure plumbing grade silicone around the edge of the basin. Allow silicone to set before proceeding with waste pipe installation.