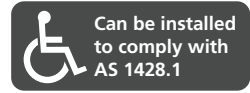


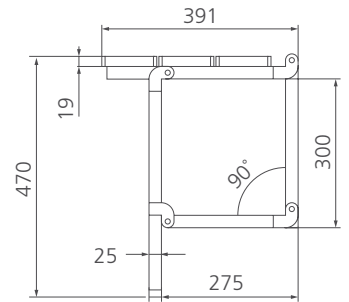
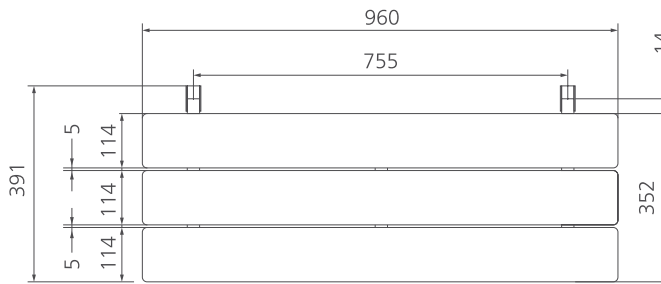
Care Accessories

ACCHF02C

Folding Care Shower Seat



All dimensions in mm



Specifications /

Application	Domestic and commercial care
Rating	Maximum load rating 120 kg
Installation	Wall mounted. Seat can be folded up against the wall when not in use. Can be installed to comply with AS 1428.1
Materials	Satin stainless steel 304 frame White WPC seat slats with rounded edges and slip-resistant surface.
Weight	8.6 kg
Parts list	Frame, seat, all fixings (some assembly required)
Commercial warranty	5 years replacement parts and 1 year labour (see Oliveri website for full details)
Maintenance and care instructions	All surfaces should be cleaned with mild liquid detergent or soap and water. Do not use cream cleaners or citrus based cleaning products, as they are abrasive. Use of unsuitable cleaning agents may damage the surface. Any damage caused in this way will not be covered by warranty.