

Folding Care Shower Seat

ACCHF02C

Please install the Shower Seat according to this guide.

IMPORTANT

Prior to installation, check the mounting surface is strong enough to support the Shower Seat under load. Ensure the wall fixing screws are anchored into masonry or timber. Do not install them directly into plasterboard. After installation, test the Shower Seat to confirm stability and correct operation.

WARRANTY This Shower Seat is warranted to be free from manufacturing defects for a period of 5 years replacement parts and 1 year labour.

Subject to the terms contained in the full warranty information available at <https://oliveri.com.au/service-and-warranty>, where a genuine manufacturing defect arises within the warranty period Oliveri will, at its election, repair the defect or replace the product.

Our goods come with guarantees that cannot be excluded under the Australian Consumer Law. You are entitled to a replacement or refund for a major failure and for compensation for any other reasonably foreseeable loss or damage. You are also entitled to have the goods repaired or replaced if the goods fail to be of acceptable quality and the failure does not amount to a major failure.

SERVICE

If the product requires servicing, please contact your installer. If the installer is satisfied that the problem is not due to poor installation, contact Oliveri's nominated Warranty Service Agent for assistance on:

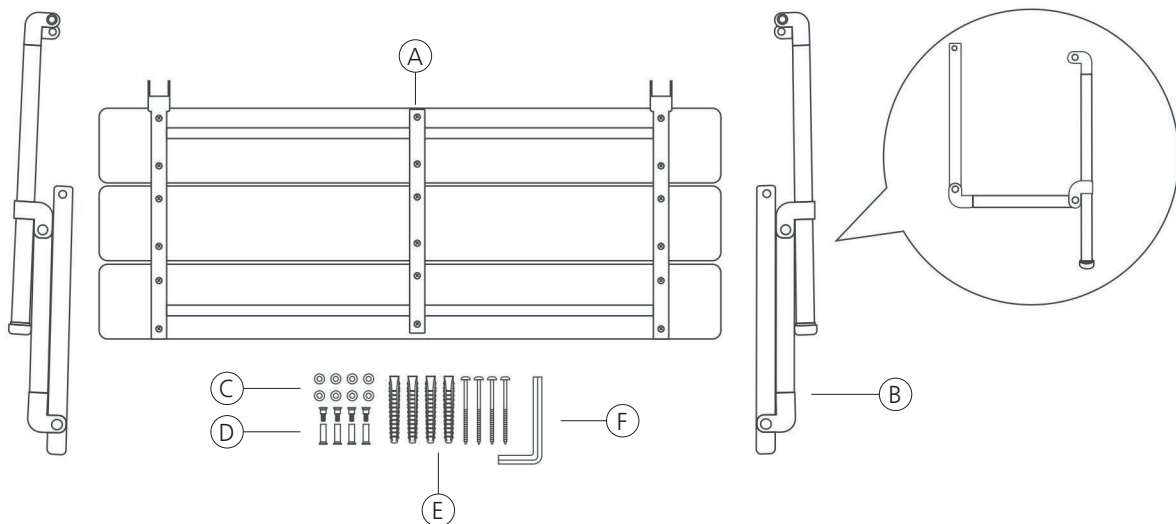
Ph: 08 8348 6444 (choose the after sales service and warranty option)

Email: warranty@oliveri.com.au

For full warranty information visit: <https://oliveri.com.au/service-and-warranty>

If a warranty service call finds that the product does not have a genuine manufacturing fault, our Warranty Service Agent reserves the right to pass on any call-out fee to the householder.

PARTS LIST

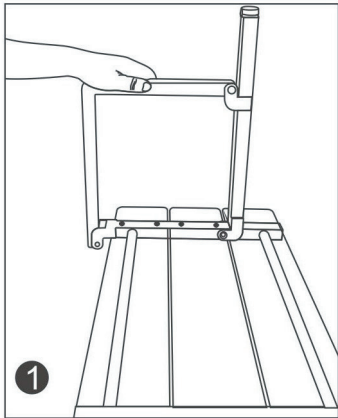


A. WPC Seat	1pc	D. SS304 Bolt	4pcs
B. SS304 Seat Leg	2pcs	E. SS304 Fixing Screws and Wall Plugs	4 sets
C. Nylon Gasket	8pcs	F. SS304 Allen Key	1pc

IMPORTANT: Never use abrasive or harsh chemical cleaners. Wipe with warm soapy water to maintain surface finish.

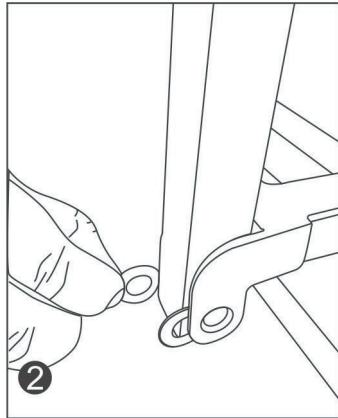
Installation Steps

Preparation Tools: Drill driver, 8 mm drill bit, hammer, pencil and level.



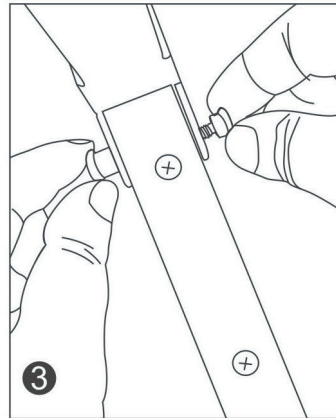
1

Place seat (A) upside down on a flat surface. Open leg (B) and locate on back of seat.



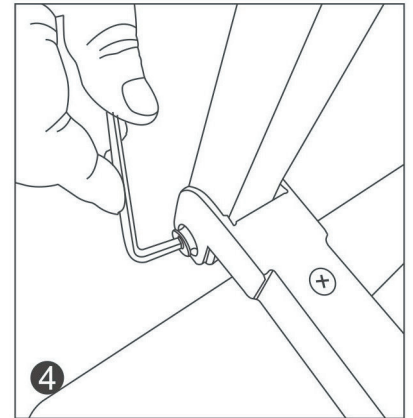
2

Insert nylon gaskets (C) into gap between leg and seat frame.



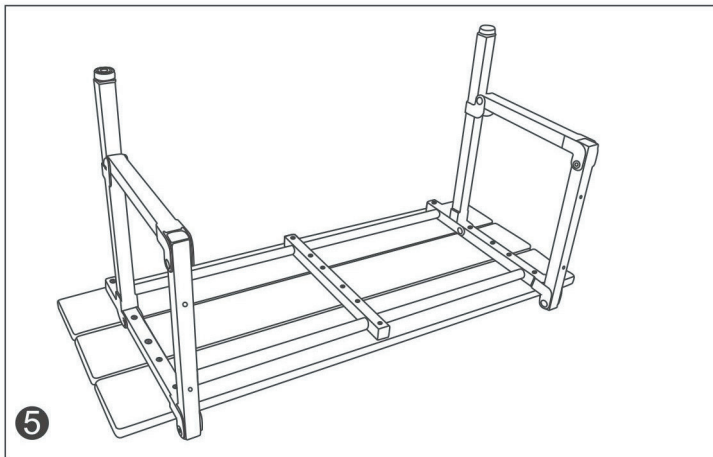
3

Use connector bolt (D) to attach leg to frame.



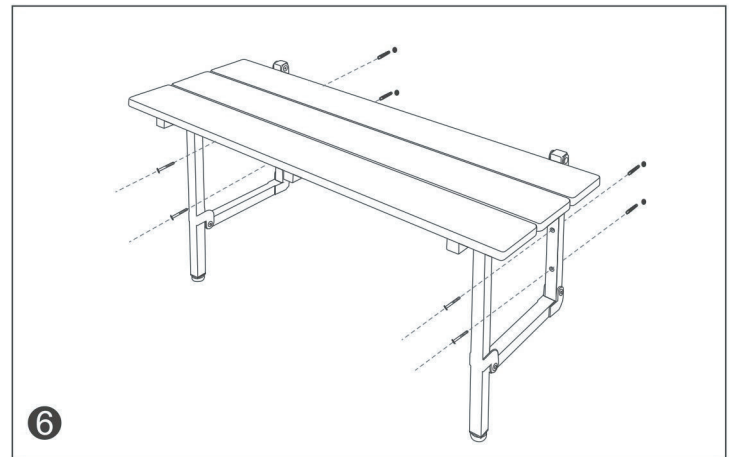
4

Use Allen key (F) to tighten bolt (D). Repeat for second leg.
NOTE Do not overtighten bolts.



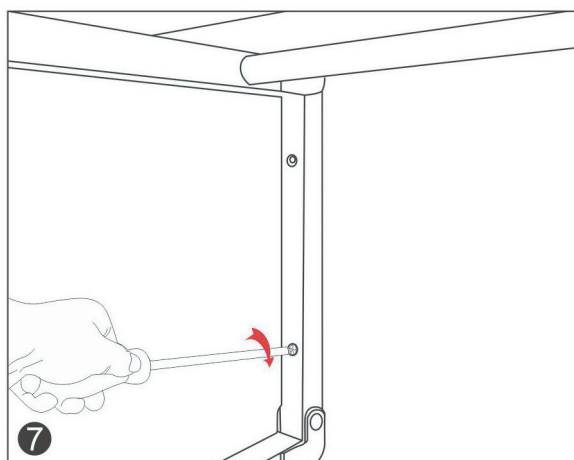
5

Place assembled seat on the wall in the required location. Check the seat is level front to back and left to right. The top of the seat must be 460-480mm from the finished floor. Mark screw hole fixing locations on the wall.



6

Drill 8 mm \varnothing holes to a depth of 60 mm at each marked screw location point. **NOTE** Use an appropriate drill bit for the wall material. Place wall plugs into holes.



7

Reposition seat assembly on the wall and secure with fixing screws provided (E). Seal screw fasteners using a neutral-cure silicone sealant.



8

Use the adjustable feet on each leg to ensure seat is level and at the correct height. Test seat for support and folding operation.

IMPORTANT: Ensure the mounting wall is strong enough to support the shower seat under load. Test after installation.